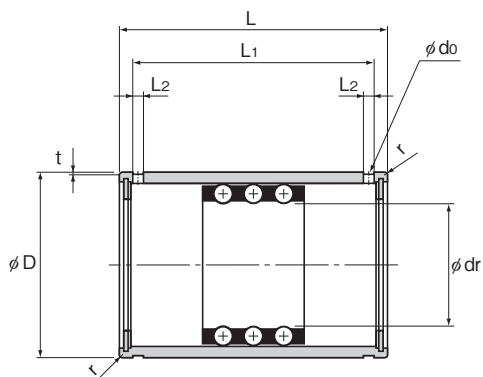
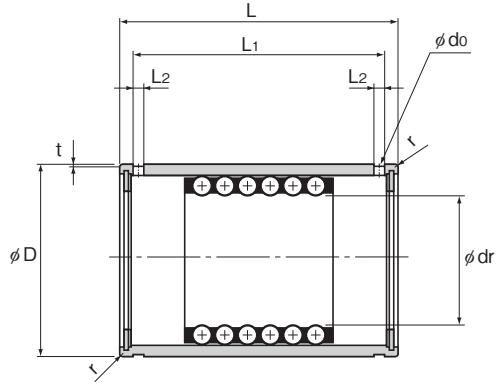


ST、ST-B型



ST型
(轻负荷用)

| 公称型号 | 最大行程 | ST型 | | | |
|-------------------|-----------|------|------------------|-----|-------------|
| | | 内径直径 | | 外径 | |
| | | dr | 公差 | D | 公差 |
| ST 40 ST 40B | 108 66 | 40 | +0.041 +0.025 | 60 | 0 -0.013 |
| ST 45 ST 45B | 108 66 | 45 | | 65 | |
| ST 50 ST 50B | 138 88 | 50 | | 72 | |
| ST 55 ST 55B | 138 88 | 55 | +0.049 +0.030 | 80 | 0 -0.015 |
| ST 60 ST 60B | 138 88 | 60 | | 85 | |
| ST 70 ST 70B | 138 88 | 70 | | 95 | |
| ST 80 ST 80B | 132 76 | 80 | | 110 | |
| ST 90 ST 90B | 132 76 | 90 | +0.058 +0.036 | 120 | 0 -0.018 |
| ST 100 ST 100B | 132 76 | 100 | | 130 | |



ST-B型
(中负荷用)

单位：mm

| 长度 | | 公差 | L ₁ | L ₂ | t | d _o | r | 基本动 额定载荷 | 基本静 额定载荷 | 质量 |
|-----|-----------|------|----------------|----------------|-----|----------------|--------------|----------------------|--------------|----|
| L | C kN | | | | | | | C ₀ kN | g | |
| 80 | 0 -0.3 | 73.3 | 2.5 | 0.7 | 2.5 | 1.5 | 12.5 25 | 6.18 12.4 | 570 635 | |
| 80 | | 73.3 | 2.5 | 0.7 | 2.5 | 1.5 | 12.6 25.2 | 6.76 13.5 | 625 695 | |
| 100 | | 92.4 | 3 | 1 | 3 | 1.5 | 16.3 32.5 | 8.82 17.7 | 910 1020 | |
| 100 | | 92.4 | 3 | 1 | 3 | 2 | 16.6 33 | 9.71 19.3 | 1270 1380 | |
| 100 | | 92.4 | 3 | 1 | 3 | 2 | 16.8 33.6 | 10.5 21 | 1360 1480 | |
| 100 | 0 -0.4 | 92.4 | 3 | 1 | 3 | 2 | 16.9 33.8 | 11.7 23.3 | 1530 1670 | |
| 100 | | 92 | 3 | 1.5 | 3 | 2 | 21.3 42.5 | 15.3 30.6 | 2220 2430 | |
| 100 | | 92 | 3 | 1.5 | 3 | 2 | 21.7 43.3 | 16.9 33.7 | 2440 2670 | |
| 100 | | 92 | 3 | 1.5 | 3 | 2 | 22 43.9 | 18.3 36.8 | 2670 2910 | |
| 100 | | 92 | 3 | 1.5 | 3 | 2 | 22 43.9 | 18.3 36.8 | 2670 2910 | |