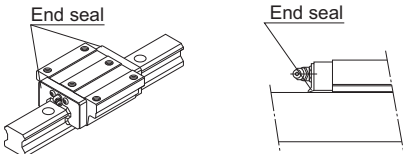
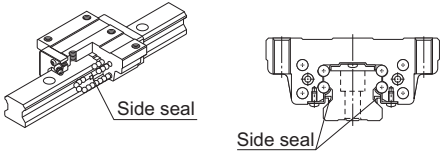
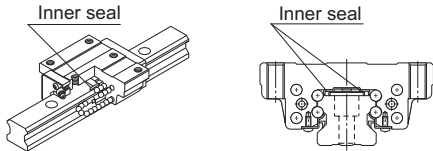
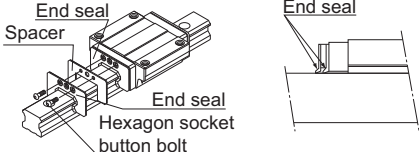
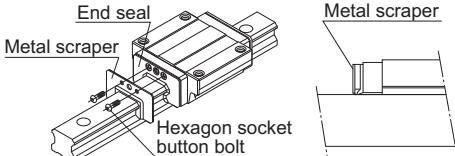


# Seal and Metal Scraper

- For the supported models, see the table of options by model number on [A1-504](#).
- For the LM block length (dimension L) with seals attached, see [A1-517](#) to [A1-525](#).
- For the maximum seal resistance, see [A1-531](#) to [A1-533](#).

Item name	Schematic diagram/mounting location	Purpose/location of use
End seal	 <p>End seal</p> <p>End seal</p>	Used in locations exposed to dust
Side seal	 <p>Side seal</p> <p>Side seal</p>	Used in locations where dust may enter the LM block from the side or bottom surface, such as vertical, horizontal, and inverted mounts
Inner seal	 <p>Inner seal</p> <p>Inner seal</p>	Used in locations exposed to extremely large amounts of dust or cutting chips
Double seals	 <p>End seal</p> <p>Spacer</p> <p>End seal</p> <p>Hexagon socket button bolt</p> <p>End seal</p>	Used especially in locations exposed to large amounts of dust or cutting chips
Metal scraper (non-contact)	 <p>End seal</p> <p>Metal scraper</p> <p>Hexagon socket button bolt</p> <p>Metal scraper</p>	Used in locations where welding spatter may adhere to the LM rail

## Options

## Seal and Metal Scraper

Symbol	Contamination protection accessories
UU	With end seal
SS	With end seal + side seal + inner seal*
DD	With double seals + side seal + inner seal*
ZZ	With end seal + side seal + inner seal* + metal scraper
KK	With double seals + side seal + inner seal* + metal scraper

\* Some models are not equipped with inner seals (see **A1-504**).