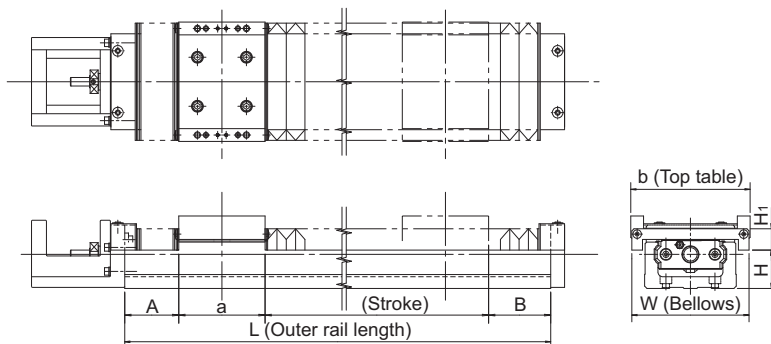


Bellows

For model KR, bellows are available for contamination protection in addition to a cover.

[Model KR-A (with a Single Long Nut Block)]



Unit: mm

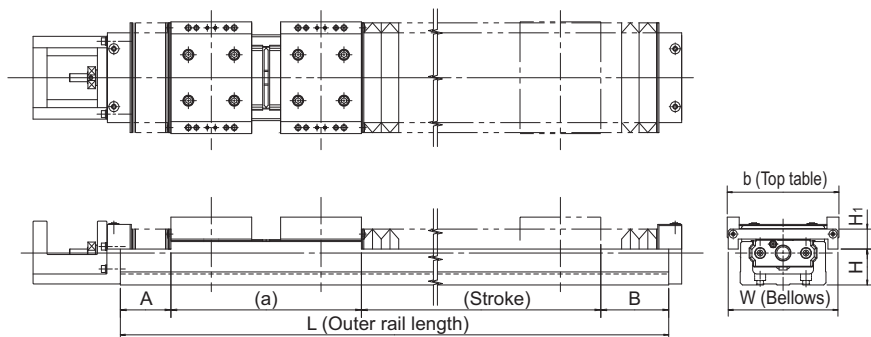
Model No.	Stroke ¹	Outer rail length L	A	B	a	b	W	H	H ₁
KR15	15(22.2)	75	15.8	14	23	44	49	8	15.5
	30(37.2)	100	20.8	19					
	45(52.2)	125	25.8	24					
	60(67.2)	150	30.8	29					
	75(82.2)	175	35.8	34					
90(97.2)	200	40.8	39						
KR20	20(30.8)	100	18.8	17.2	33.2	52	60	10	20
	55(67.8)	150	25.3	23.7					
	80(93.6)	200	37	36.2					
KR26	50(61.3)	150	23.7	17.6	47.4	62	74	18	20
	80(91.6)	200	32.8	28.2					
	110(125.6)	250	40.8	36.2					
	160(175.6)	300	40.8	36.2					
KR30H	30(42)	150	28.5	25.5	54	80	80	21.5	17.5
	60(72)	200	38.5	35.5					
	130(142)	300	53.5	50.5					
	200(212)	400	68.5	65.5					
	270(282)	500	83.5	80.5					
	340(352)	600	98.5	95.5					
KR33	30(42)	150	28.4	25.6	54	86	84	24.5	20
	70(82)	200	33.4	30.6					
	150(162)	300	43.4	40.6					
	220(232)	400	58.4	55.6					
	300(312)	500	68.4	65.6					
	370(382)	600	83.4	80.6					
	450(462)	700	93.4	90.6					

Model No.	Stroke ^{*1}	Outer rail length L	A	B	a	b	W	H	H _i
KR45H	160(177)	340	41.1	40.9	81	104	104	28	28
	240(255)	440	52.1	51.9					
	320(339)	540	60.1	59.9					
	400(423)	640	68.1	67.9					
	470(491)	740	84.1	83.9					
	550(575)	840	92.1	91.9					
KR46	640(659)	940	100.1	99.9	81	112	110	36	20
	140(155)	340	52.9	51.1					
	210(225)	440	67.9	66.1					
	290(305)	540	77.9	76.1					
	360(375)	640	92.9	91.1					
	440(455)	740	102.9	101.1					
KR55	510(525)	840	117.9	116.1	95.2	124	154	37	40
	590(605)	940	127.9	126.1					
	700(719.6)	980	84.6	80.6					
	790(809.6)	1080	89.6	85.6					
	870(889.6)	1180	99.6	95.6					
KR65	960(979.6)	1280	104.6	100.6	110	170	184	40	47
	1050(1069.6)	1380	109.6	105.6					
	680(703.2)	980	85.1	81.7					
	860(883.2)	1180	95.1	91.7					
	1030(1053.2)	1380	110.1	106.7					
	1290(1313.2)	1680	130.1	126.7					

*1 The value in the parentheses represents the maximum stroke.

*2 The bellows for KR55 and KR65 are only suitable for horizontal orientation. If the bellows is to be used in other orientations (vertical or wall-mounted), contact THK.

[Model KR-B (with Two Long Nut Blocks)]



Unit: mm

Model No.	Stroke ^{1,2}	Outer rail length L	A	B	a	b	W	H	H ₁
KR15	20(29.2)	125	20.8	19	56	44	49	8	15.5
	35(44.2)	150	25.8	24					
	50(59.2)	175	30.8	29					
	65(74.2)	200	35.8	34					
KR20	25(34.8)	150	18.8	17.2	79.2	52	60	10	20
	60(71.8)	200	25.3	23.7					
KR26	35(47.3)	200	23.7	17.6	111.4	62	74	18	20
	65(77.6)	250	32.8	28.2					
	115(127.6)	300	32.8	28.2					
KR30H	85(97.6)	300	38.5	35.5	128.4	80	80	21.5	17.5
	155(167.6)	400	53.5	50.5					
	225(237.6)	500	68.5	65.5					
	295(307.6)	600	83.5	80.5					
KR33	80(96)	300	38.4	35.6	130	86	84	24.5	20
	160(176)	400	48.4	45.6					
	240(256)	500	58.4	55.6					
	310(326)	600	73.4	70.6					
KR45H	390(406)	700	83.4	80.6	189	104	104	28	28
	80(95)	340	28.1	27.9					
	155(170.5)	440	41.1	39.4					
	230(247)	540	52.1	51.9					
	310(331)	640	60.1	59.9					
	400(415)	740	68.1	67.9					
KR46	465(483)	840	84.1	83.9	191	112	110	36	20
	550(567)	940	92.1	91.9					
	60(75)	340	37.9	36.1					
	130(145)	440	52.9	51.1					
	210(225)	540	62.9	61.1					
	280(295)	640	77.9	76.1					
	360(375)	740	87.9	86.1					
430(445)	840	102.9	101.1						
510(525)	940	112.9	111.1						

Model No.	Stroke ^{*1,2}	Outer rail length L	A	B	a	b	W	H	H _i
KR55	590(612)	980	74.6	70.6	222.8	124	154	37	40
	670(692)	1080	84.6	80.6					
	760(782)	1180	89.6	85.6					
	850(872)	1280	94.6	90.6					
KR65	930(952)	1380	104.6	100.6	254.6	170	184	40	47
	550(578.6)	980	75.1	71.7					
	720(748.6)	1180	90.1	86.7					
	900(928.6)	1380	100.1	96.7					
	1160(1188.6)	1680	120.1	116.7					

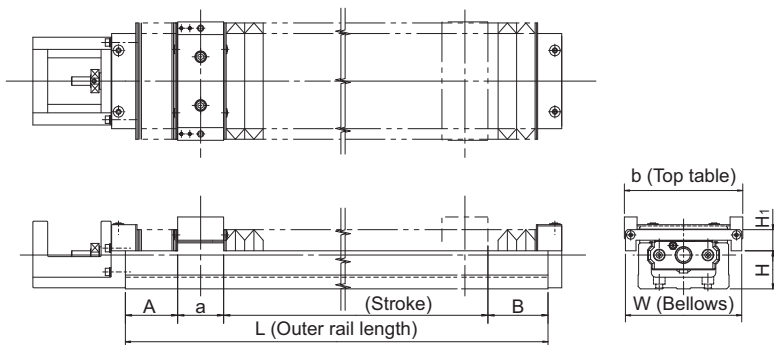
*1 The strokes in the table are values when the blocks are in close contact with each other.

*2 The value in the parentheses represents the maximum stroke.

*3 The bellows for KR55 and KR65 are only suitable for horizontal orientation. If the bellows is to be used in other orientations (vertical or wall-mounted), contact THK.

Note) The bellows cannot be attached between the top tables.

[Model KR-C (with a Single Short Nut Block)]

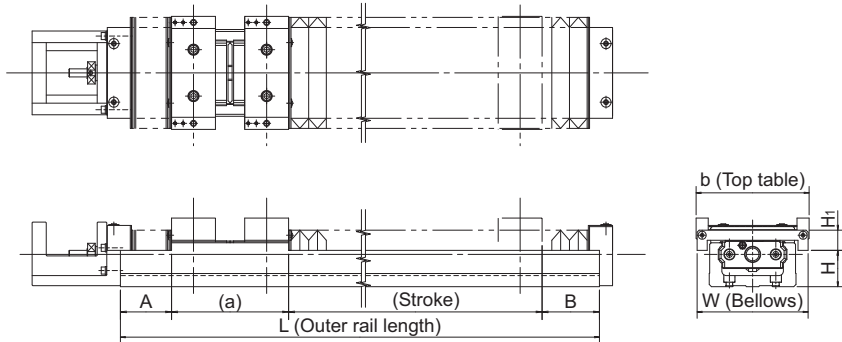


Unit: mm

Model No.	Stroke*	Outer rail length L	A	B	a	b	W	H	H ₁
KR30H	45(57.5)	150	33.5	30.5	28.5	80	80	21.5	17.5
	85(97.5)	200	38.5	35.5					
	155(167.5)	300	53.5	50.5					
	225(237.5)	400	68.5	65.5					
	295(307.5)	500	83.5	80.5					
365(377.5)	600	98.5	95.5						
KR33	55(67.5)	150	28.4	25.6	28.5	86	84	24.5	20
	95(107.5)	200	33.4	30.6					
	165(177.5)	300	48.4	45.6					
	245(257.5)	400	58.4	55.6					
	315(327.5)	500	73.4	70.6					
	395(407.5)	600	83.4	80.6					
465(477.5)	700	98.4	95.6						
KR45H	190(208.5)	340	44.1	43.9	43.5	104	104	28	28
	275(292.5)	440	52.1	51.9					
	340(360.5)	540	68.1	67.9					
	425(444.5)	640	76.1	75.9					
	510(528.5)	740	84.1	83.9					
	580(596.5)	840	100.1	99.9					
660(680.5)	940	108.1	107.9						
KR46	170(182.5)	340	57.9	56.1	43.5	112	110	36	20
	240(252.5)	440	72.9	71.1					
	320(332.5)	540	82.9	81.1					
	390(402.5)	640	97.9	96.1					
	470(482.5)	740	107.9	106.1					
	540(552.5)	840	122.9	121.1					
620(632.5)	940	132.9	131.1						

*The value in the parentheses represents the maximum stroke.

[Model KR-D (with Two Short Nut Blocks)]



Unit: mm

Model No.	Stroke ^{*1,2}	Outer rail length L	A	B	a	b	W	H	H ₁
KR30H	15(28.6)	150	23.5	20.5	77.4	80	80	21.5	17.5
	45(58.6)	200	33.5	30.5					
	115(128.6)	300	48.5	45.5					
	185(198.6)	400	63.5	60.5					
	255(268.6)	500	78.5	75.5					
325(338.6)	600	93.5	90.5						
KR33	55(67)	200	28.4	25.6	79	86	84	24.5	20
	125(137)	300	43.4	40.6					
	205(217)	400	53.4	50.6					
	275(287)	500	68.4	65.6					
	355(367)	600	78.4	75.6					
425(437)	700	93.4	90.6						
KR45H	140(154)	340	36.1	35.9	114	104	104	28	28
	220(238)	440	44.1	43.9					
	290(306)	540	60.1	59.9					
	370(390)	640	68.1	67.9					
	455(474)	740	76.1	75.9					
	525(542)	840	92.1	91.9					
605(626)	940	100.1	99.9						
KR46	110(130)	340	47.9	46.1	116	112	110	36	20
	180(200)	440	62.9	61.1					
	260(280)	540	72.9	71.1					
	330(350)	640	87.9	86.1					
	410(430)	740	97.9	96.1					
	480(500)	840	112.9	111.1					
560(580)	940	122.9	121.1						

*1 The strokes in the table are values when the blocks are in close contact with each other.

*2 The value in the parentheses represents the maximum stroke.

Note) The bellows cannot be attached between the top tables.