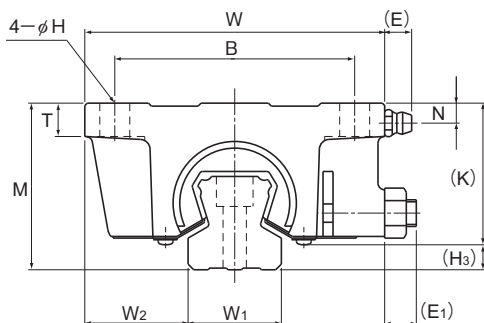


## Model NSR-TBC



Model No.	Outer dimensions			LM casing dimensions									Grease nipple	H <sub>3</sub>
	Height	Width	Length	B	C	H	T	K	N	E	E <sub>1</sub>			
	M	W	L											
NSR 20TBC	40	70	67	55	50	6.6	8	34.5	5.5	8.5	7	A-M6F	5.5	
NSR 25TBC	50	90	78	72	60	9	10	43.5	6	8.5	7.5	A-M6F	6.5	
NSR 30TBC	60	100	90	82	72	9	12	51	8	8.5	9.5	A-M6F	9	
NSR 40TBC	75	120	110	100	80	11	13	64	10	8.5	12	A-M6F	10.5	
NSR 50TBC	82	140	123	116	95	14	15	74	9	15	15	A-PT1/8	8	
NSR 70TBC	105	175	150	150	110	14	18	95.5	10	15	16.5	A-PT1/8	9.5	

### Model number coding

**NSR50TBC 2 UU C1 +1200L P T - II**

Model number

No. of LM cases  
used on the same  
rail

Contamination  
protection  
accessory  
symbol (\*1)

Radial clearance symbol (\*2)  
Normal (No symbol)  
Light preload (C1)  
Medium preload (C0)

LM rail length  
(in mm)

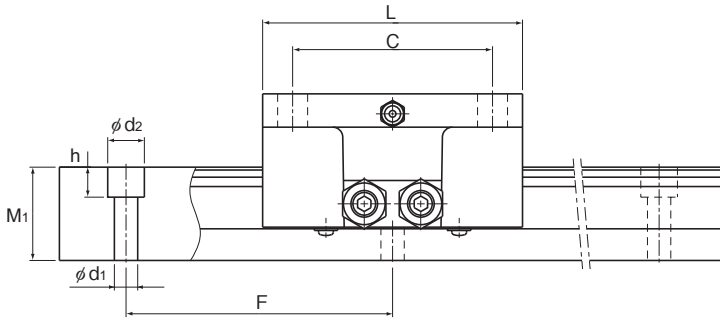
Symbol for  
LM rail  
jointed use

Accuracy symbol (\*3)  
Normal grade (No Symbol)/High accuracy grade (H)  
Precision grade (P)/Super precision grade (SP)  
Ultra precision grade (UP)

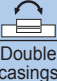
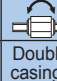
Symbol for  
No. of rails used  
on the same plane (\*4)

(\*1) See contamination protection accessory on **A1-516**. (\*2) See **A1-73**. (\*3) See **A1-77**. (\*4) See **A1-13**.

Note) This model number indicates that a single-rail unit constitutes one set. (i.e., required number of sets when 2 rails are used in parallel is 2 at a minimum.)



Unit: mm

	LM rail dimensions						Basic load rating		Static Permissible Moment*		Mass	
	Width		Height	Pitch		Length*	C	C <sub>0</sub>	M <sub>A</sub>	M <sub>B</sub>	LM casing	LM rail
	W <sub>1</sub> ±0.05	W <sub>2</sub>	M <sub>1</sub>	F	d <sub>1</sub> × d <sub>2</sub> × h	Max	kN	kN	 Double casings	 Double casings	kg	kg/m
	23	23.5	23	60	6 × 9.5 × 8.5	2200	9.41	18.6	0.31	0.27	0.62	3.1
	28	31	28	80	7 × 11 × 9	3000	14.9	26.7	0.53	0.46	1.13	4.7
	34	33	34.5	80	7 × 11 × 9	3000	22.5	38.3	0.85	0.74	1.8	7.2
	45	37.5	44.5	105	9 × 14 × 12	3000	37.1	62.2	1.7	1.5	3.5	12.2
	48	46	47.5	120	11 × 17.5 × 14	3000	55.1	87.4	2.7	2.4	5.2	14.3
	63	56	62	150	14 × 20 × 17	3000	90.8	152	9.8	4.9	9.4	27.6

Note1) The maximum length under "Length\*" indicates the standard maximum length of an LM rail. (See [A1-348](#).)

Static permissible moment\* Double casings: the static permissible moment when two LM casings are in close contact with each other

Total block length L : The total block length L shown in the table is the length with the dust proof parts, code UU or SS.

Note2) The basic load rating in the dimension table is for a load in the radial direction. Use Table7 on [A1-59](#) to calculate the load rating for loads in the reverse radial direction or lateral direction.