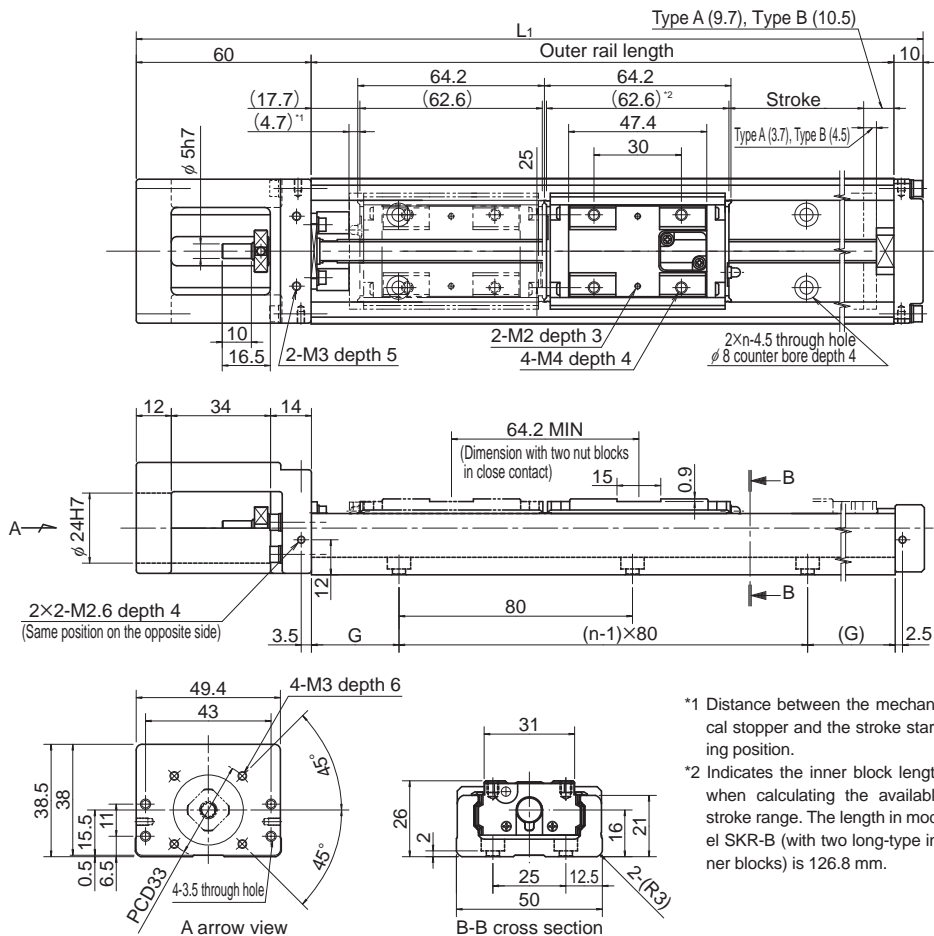


## Model SKR26 Standard Type

Model SKR26□□A (with a Single Long Nut Block)

Model SKR26□□B (with Two Long Nut Blocks)

For model number coding, see **A2-28**.



\*1 Distance between the mechanical stopper and the stroke starting position.

\*2 Indicates the inner block length when calculating the available stroke range. The length in model SKR-B (with two long-type inner blocks) is 126.8 mm.

Stroke (mm) (stroke between mechanical stoppers)		Outer rail length (mm)	Overall length L <sub>1</sub> (mm)	G (mm)	n	Overall main unit mass (kg)	
Type A	Type B <sup>*</sup>					Type A	Type B
60(68.4)	—	150	220	35	2	1.01	—
110(118.4)	45(54.2)	200	270	20	3	1.22	1.39
160(168.4)	95(104.2)	250	320	45	3	1.43	1.6
210(218.4)	145(154.2)	300	370	30	4	1.64	1.81

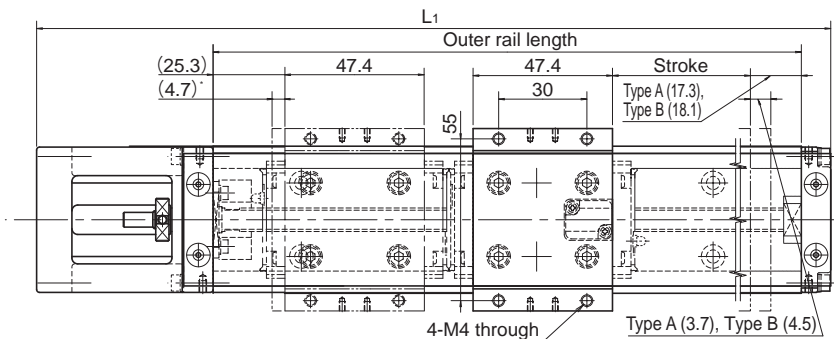
\*Indicates a value when two inner blocks are in close contact with each other.

## Model SKR26 (with a Cover)

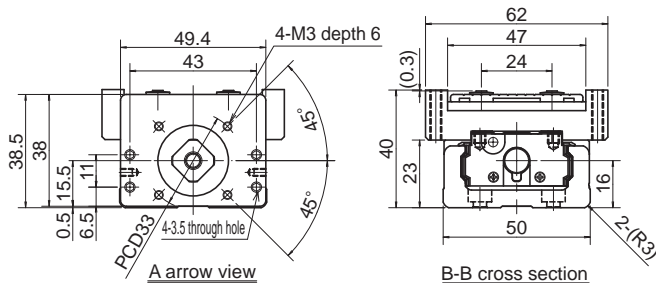
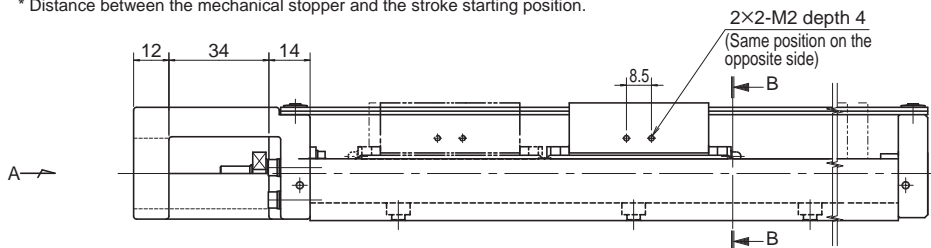
Model SKR26□□A (with a Single Long Nut Block)

Model SKR26□□B (with Two Long Nut Blocks)

For model number coding, see **A2-28**.



\* Distance between the mechanical stopper and the stroke starting position.



Stroke (mm) (stroke between mechanical stoppers)		Outer rail length (mm)	Overall length L <sub>1</sub> (mm)	G (mm)	n	Overall main unit mass (kg)	
Type A	Type B*					Type A	Type B
60(68.4)	—	150	220	35	2	1.17	—
110(118.4)	45(54.2)	200	270	20	3	1.39	1.64
160(168.4)	95(104.2)	250	320	45	3	1.61	1.86
210(218.4)	145(154.2)	300	370	30	4	1.83	2.08

\*Indicates a value when two inner blocks are in close contact with each other.