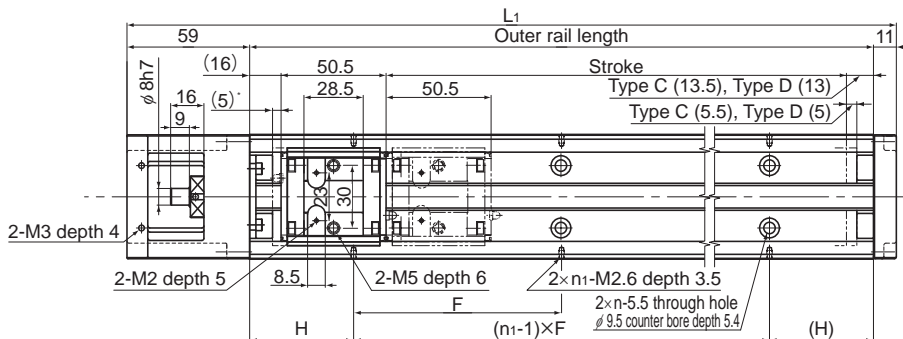


Model SKR33 Standard Type

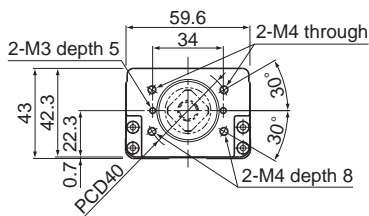
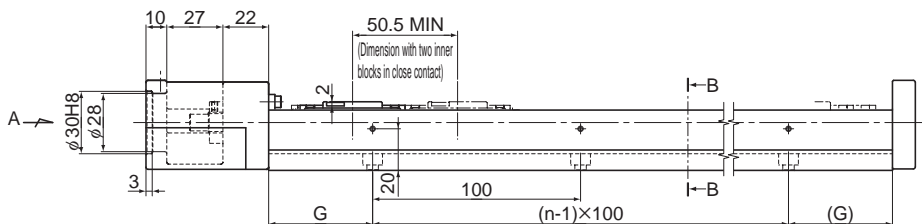
Model SKR33□□C (with a Single Short Nut Block)

Model SKR33□□D (with Two Short Nut Blocks)

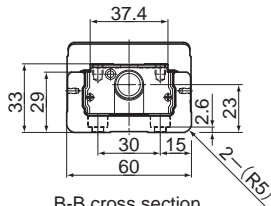
For model number coding, see **A2-28**.



* Distance between the mechanical stopper and the stroke starting position.



A arrow view



B-B cross section

Stroke (mm) (stroke between mechanical stoppers)		Outer rail length (mm)	Overall length L_1 (mm)	H (mm)	G (mm)	F (mm)	n	n_1	Overall main unit mass (kg)	
Type C	Type D								Type C	Type D
70(80.5)	20(30)	150	220	25	25	100	2	2	1.7	1.9
120(130.5)	70(80)	200	270	50	50	100	2	2	2.1	2.3
220(230.5)	170(180)	300	370	50	50	200	3	2	2.8	3
320(330.5)	270(280)	400	470	100	50	200	4	2	3.5	3.7
420(430.5)	370(380)	500	570	50	50	200	5	3	4.3	4.5
520(530.5)	470(480)	600	670	100	50	200	6	3	5	5.2
620(630.5)	570(580)	700	770	50	50	200	7	4	5.7	5.9

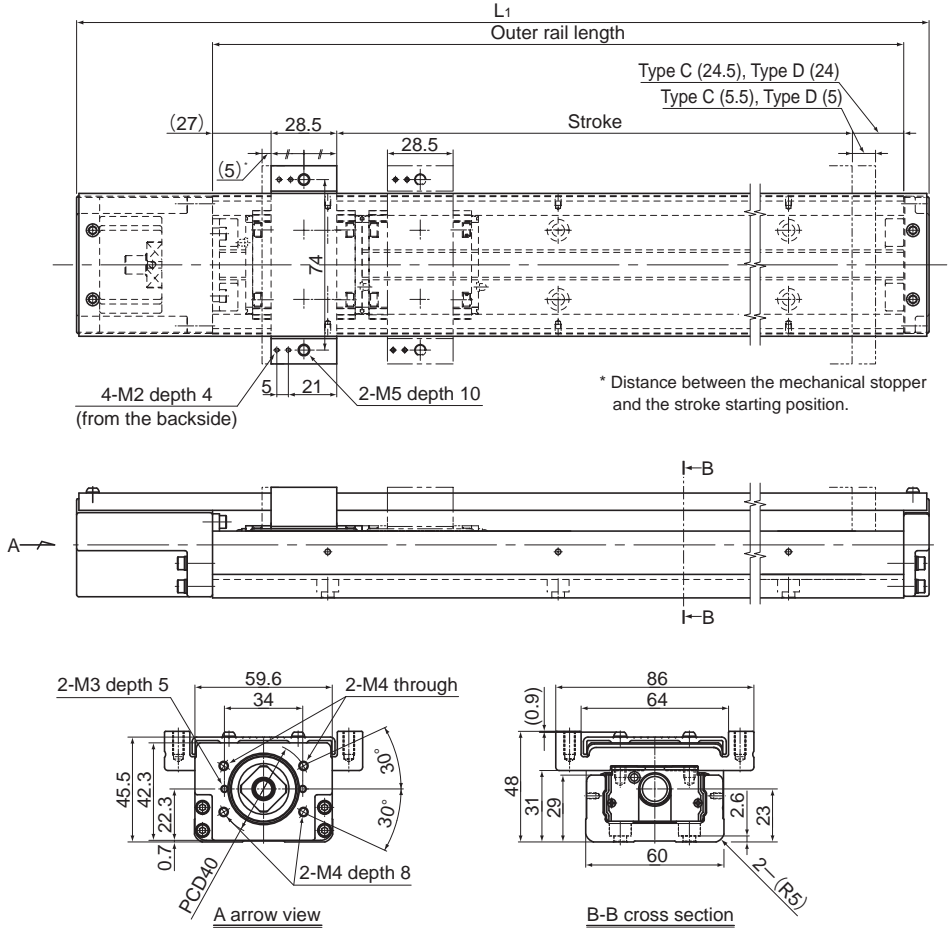
*Indicates a value when two inner blocks are in close contact with each other.

Model SKR33 (with a Cover)

Model SKR33□□C (with a Single Short Nut Block)

Model SKR33□□D (with Two Short Nut Blocks)

For model number coding, see **A2-28**.



Stroke (mm) (stroke between mechanical stoppers)		Outer rail length (mm)	Overall length L_1 (mm)	H (mm)	G (mm)	F (mm)	n	n_1	Overall main unit mass (kg)	
Type C	Type D*								Type C	Type D
70(80.5)	20(30)	150	220	25	25	100	2	2	2	2.3
120(130.5)	70(80)	200	270	50	50	100	2	2	2.3	2.6
220(230.5)	170(180)	300	370	50	50	200	3	2	3.1	3.4
320(330.5)	270(280)	400	470	100	50	200	4	2	3.9	4.2
420(430.5)	370(380)	500	570	50	50	200	5	3	4.6	4.9
520(530.5)	470(480)	600	670	100	50	200	6	3	5.4	5.7
620(630.5)	570(580)	700	770	50	50	200	7	4	6.1	6.4

*Indicates a value when two inner blocks are in close contact with each other.