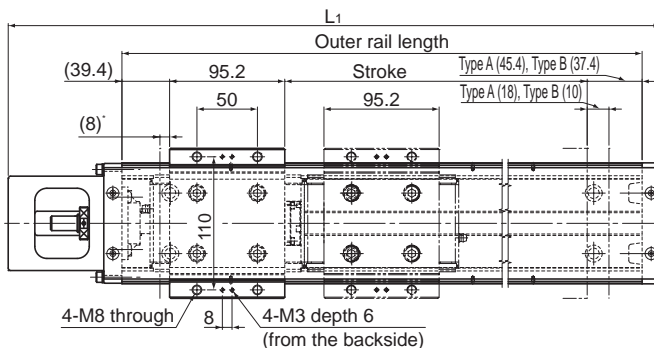


Model SKR55 (with a Cover)

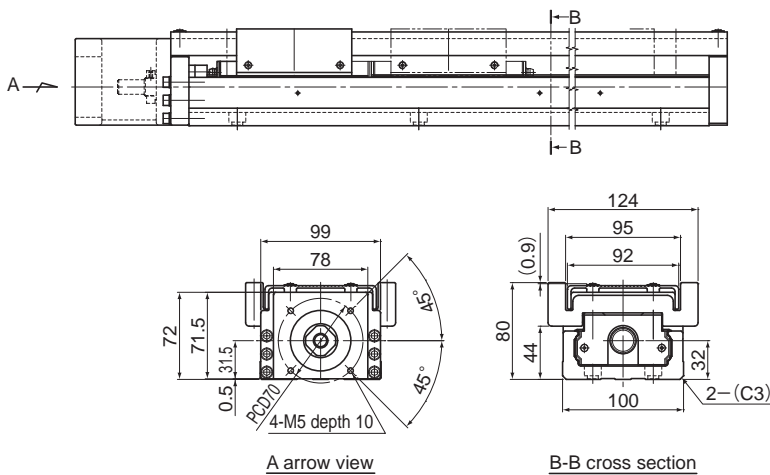
Model SKR55□□A (with a Single Long Nut Block)

Model SKR55□□B (with Two Long Nut Blocks)

For model number coding, see **A2-28**.



* Distance between the mechanical stopper and the stroke starting position.



Stroke (mm) (stroke between mechanical stoppers)		Outer rail length (mm)	Overall length L_1 (mm)	Overall main unit mass (kg)	
Type A	Type B*			Type A	Type B
800 (826)	680 (698)	980	1089	23.8	27.6
900 (926)	780 (798)	1080	1189	25.7	29.5
1000 (1026)	880 (898)	1180	1289	27.6	31.4
1100 (1126)	980 (998)	1280	1389	29.5	33.3
1200 (1226)	1080 (1098)	1380	1489	31.4	35.2

*Indicates a value when two inner blocks are in close contact with each other.