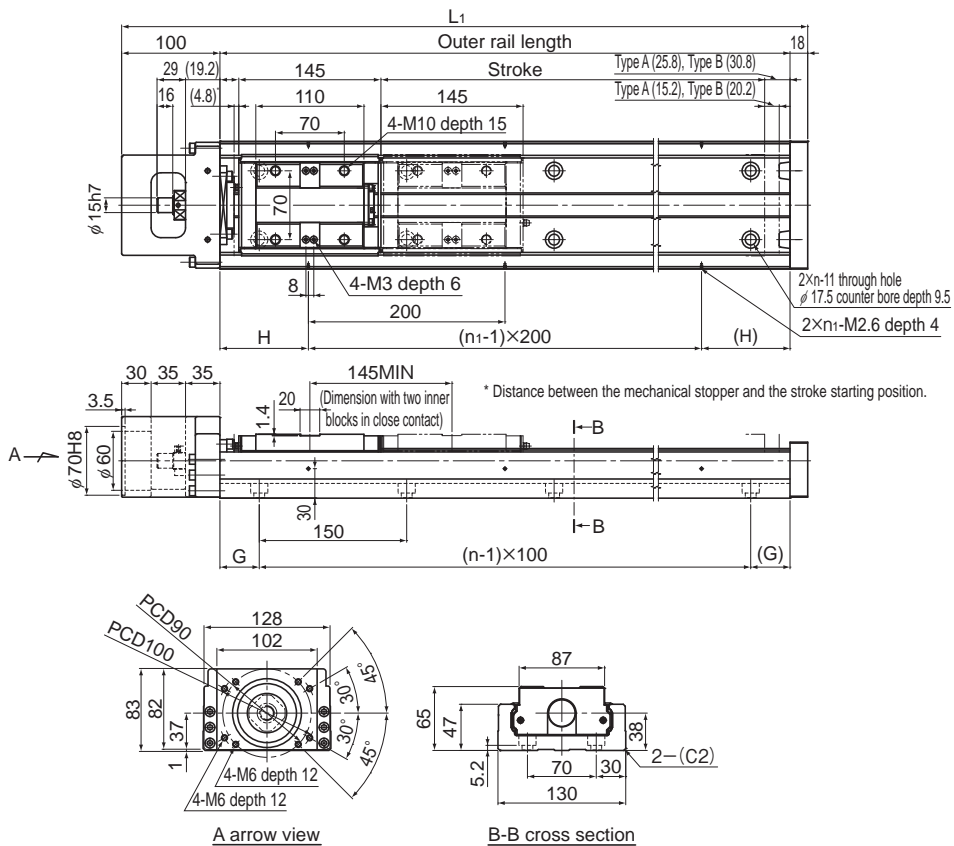


Model SKR65 Standard Type

Model SKR65□□A (with a Single Long Nut Block)

Model SKR65□□B (with Two Long Nut Blocks)

For model number coding, see **A2-28**.



Stroke (mm) (stroke between mechanical stoppers)		Outer rail length (mm)	Overall length L_1 (mm)	H (mm)	G (mm)	n	n_1	Overall main unit mass (kg)	
Type A	Type B							Type A	Type B
790 (810)	640 (665)	980	1098	90	40	7	5	30.3	33.3
990 (1010)	840 (865)	1180	1298	90	65	8	6	35.5	38.5
1190 (1210)	1040 (1065)	1380	1498	90	90	9	7	40.7	43.7
1490 (1510)	1340 (1365)	1680	1798	40	90	11	9	48.4	51.4

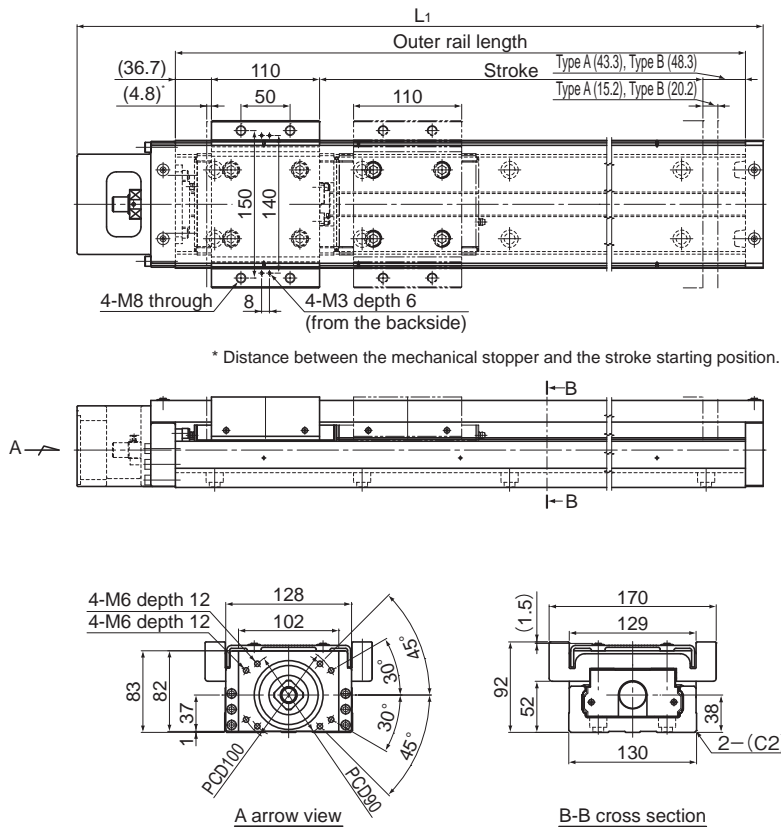
*Indicates a value when two inner blocks are in close contact with each other.

Model SKR65 (with a Cover)

Model SKR65□□A (with a Single Long Nut Block)

Model SKR65□□B (with Two Long Nut Blocks)

For model number coding, see **A2-28**.



Stroke (mm) (stroke between mechanical stoppers)		Outer rail length (mm)	Overall length L ₁ (mm)	Overall main unit mass (kg)	
Type A	Type B*			Type A	Type B
790 (810)	640 (665)	980	1098	33.5	40.2
990 (1010)	840 (865)	1180	1298	38.9	45.6
1190 (1210)	1040 (1065)	1380	1498	44.3	51
1490 (1510)	1340 (1365)	1680	1798	52.4	59.1

*Indicates a value when two inner blocks are in close contact with each other.