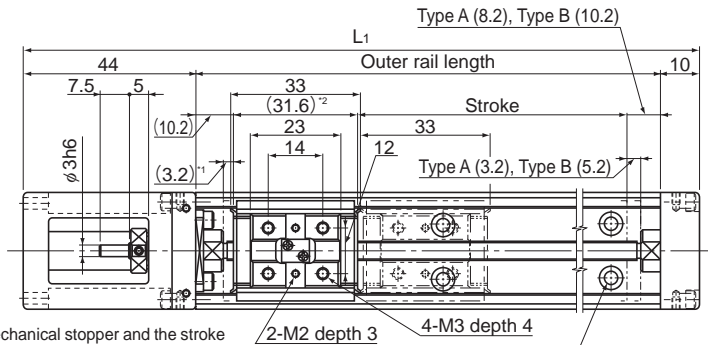


Model KR15 Standard Type

Model KR15□□A (with a Single Long Nut Block)

Model KR15□□B (with Two Long Nut Blocks)

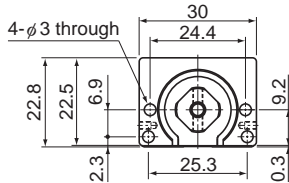
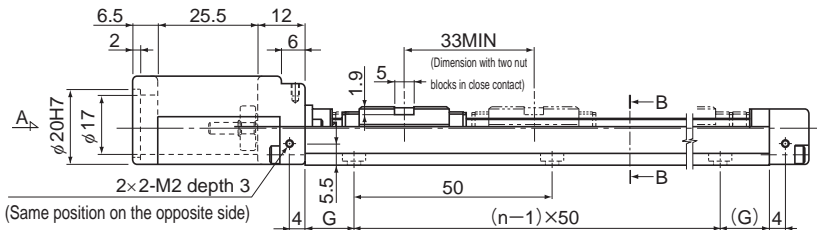
For model number coding, see **A2-96**.



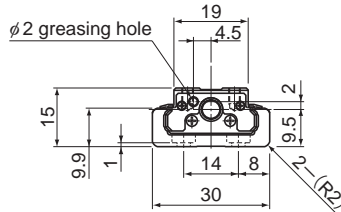
*1 Distance between the mechanical stopper and the stroke starting position.

*2 Indicates the inner block length when calculating the available stroke range. The length in model KR-B (with two long-type inner blocks) is 64.6 mm.

2x n-3.4 through hole, $\phi 6$ counter bore depth 2
(Fixed using M3 hexagon socket button bolt)



A arrow view



B-B cross section

Stroke (mm) (stroke between mechanical stoppers)		Outer rail length (mm)	Overall length L_1 (mm)	G (mm)	n	Overall main unit mass (kg)	
Type A	Type B					Type A	Type B
25(31.4)	—	75	129	12.5	2	0.19	—
50(56.4)	—	100	154	25	2	0.22	—
75(81.4)	40(48.4)	125	179	12.5	3	0.25	0.292
100(106.4)	65(73.4)	150	204	25	3	0.28	0.322
125(131.4)	90(98.4)	175	229	12.5	4	0.31	0.352
150(156.4)	115(123.4)	200	254	25	4	0.34	0.382

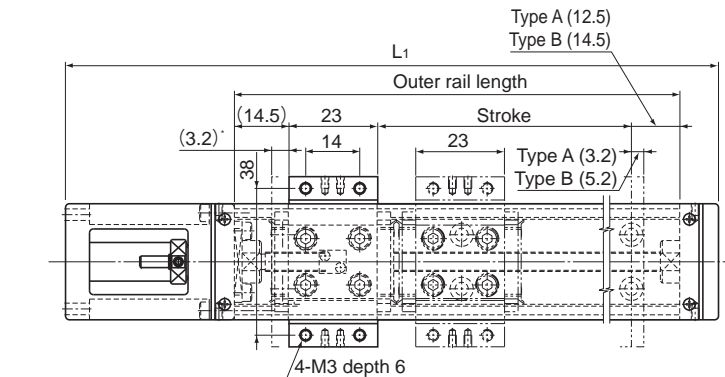
*Indicates a value when two inner blocks are in close contact with each other.

Model KR15 (with a Cover)

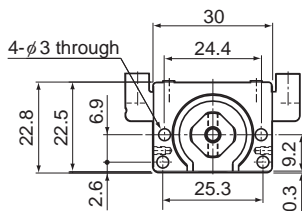
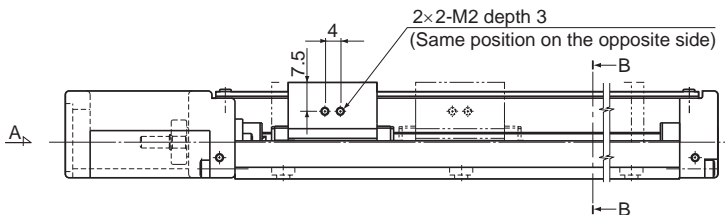
Model KR15□□A (with a Single Long Nut Block)

Model KR15□□B (with Two Long Nut Blocks)

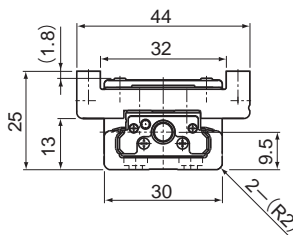
For model number coding, see **A2-96**.



* Distance between the mechanical stopper and the stroke starting position.



A arrow view



B-B cross section

Stroke (mm) (stroke between mechanical stoppers)		Outer rail length (mm)	Overall length L ₁ (mm)	Overall main unit mass (kg)	
Type A	Type B			Type A	Type B
25(31.4)	—	75	129	0.23	—
50(56.4)	—	100	154	0.26	—
75(81.4)	40(48.4)	125	179	0.3	0.364
100(106.4)	65(73.4)	150	204	0.33	0.394
125(131.4)	90(98.4)	175	229	0.36	0.424
150(156.4)	115(123.4)	200	254	0.4	0.464

*Indicates a value when two inner blocks are in close contact with each other.