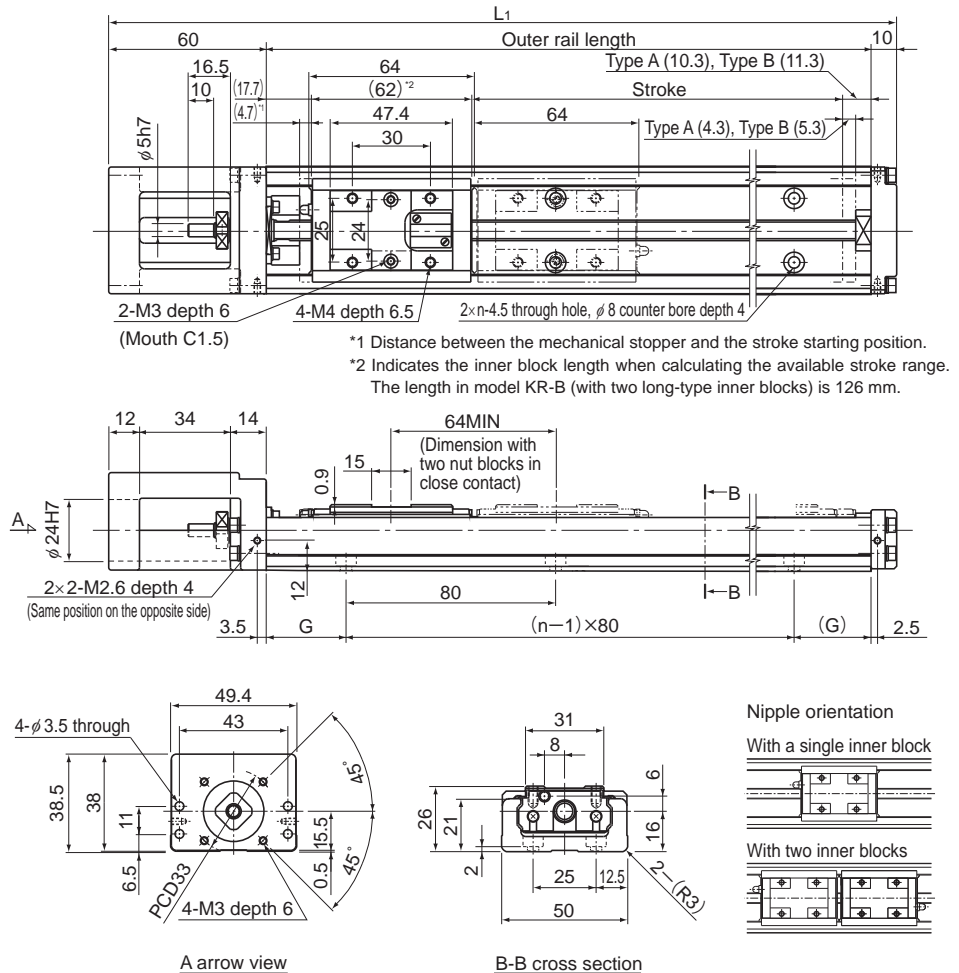


# Model KR26 Standard Type

Model KR26□□A (with a Single Long Nut Block)

Model KR26□□B (with Two Long Nut Blocks)

For model number coding, see **A2-96**.



Stroke (mm) (stroke between mechanical stoppers)		Outer rail length (mm)	Overall length L <sub>1</sub> (mm)	G (mm)	n	Overall main unit mass (kg)	
Type A	Type B <sup>*</sup>					Type A	Type B
60(69)	—	150	220	35	2	0.99	—
110(119)	45(55)	200	270	20	3	1.2	1.38
160(169)	95(105)	250	320	45	3	1.41	1.59
210(219)	145(155)	300	370	30	4	1.62	1.8

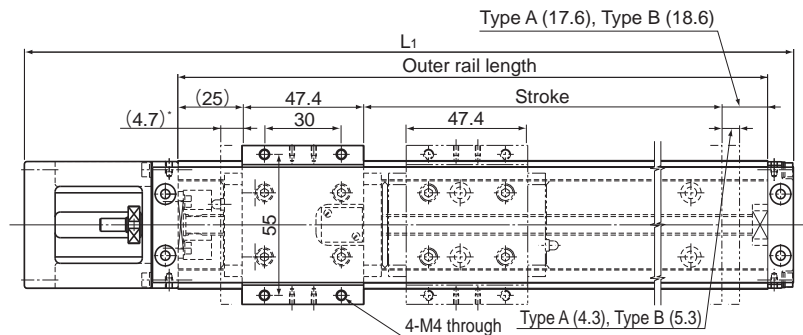
\*Indicates a value when two inner blocks are in close contact with each other.

## Model KR26 (with a Cover)

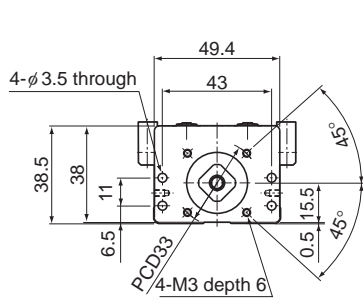
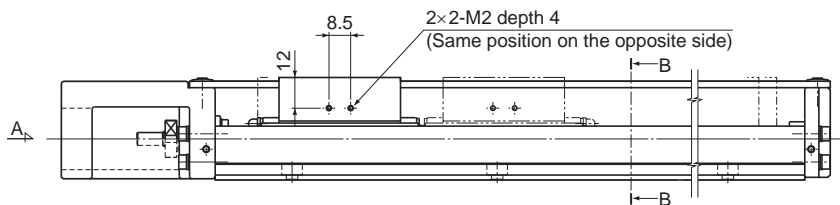
Model KR26□□A (with a Single Long Nut Block)

Model KR26□□B (with Two Long Nut Blocks)

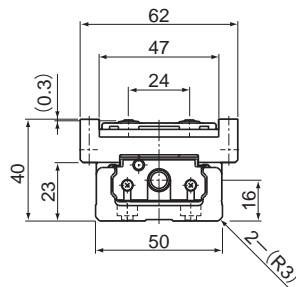
For model number coding, see **A2-96**.



\* Distance between the mechanical stopper and the stroke starting position.



A arrow view



B-B cross section

Stroke (mm) (stroke between mechanical stoppers)		Outer rail length (mm)	Overall length L <sub>1</sub> (mm)	Overall main unit mass (kg)	
Type A	Type B			Type A	Type B
60(69)	—	150	220	1.12	—
110(119)	45(55)	200	270	1.34	1.605
160(169)	95(105)	250	320	1.56	1.825
210(219)	145(155)	300	370	1.78	2.045

\*Indicates a value when two inner blocks are in close contact with each other.