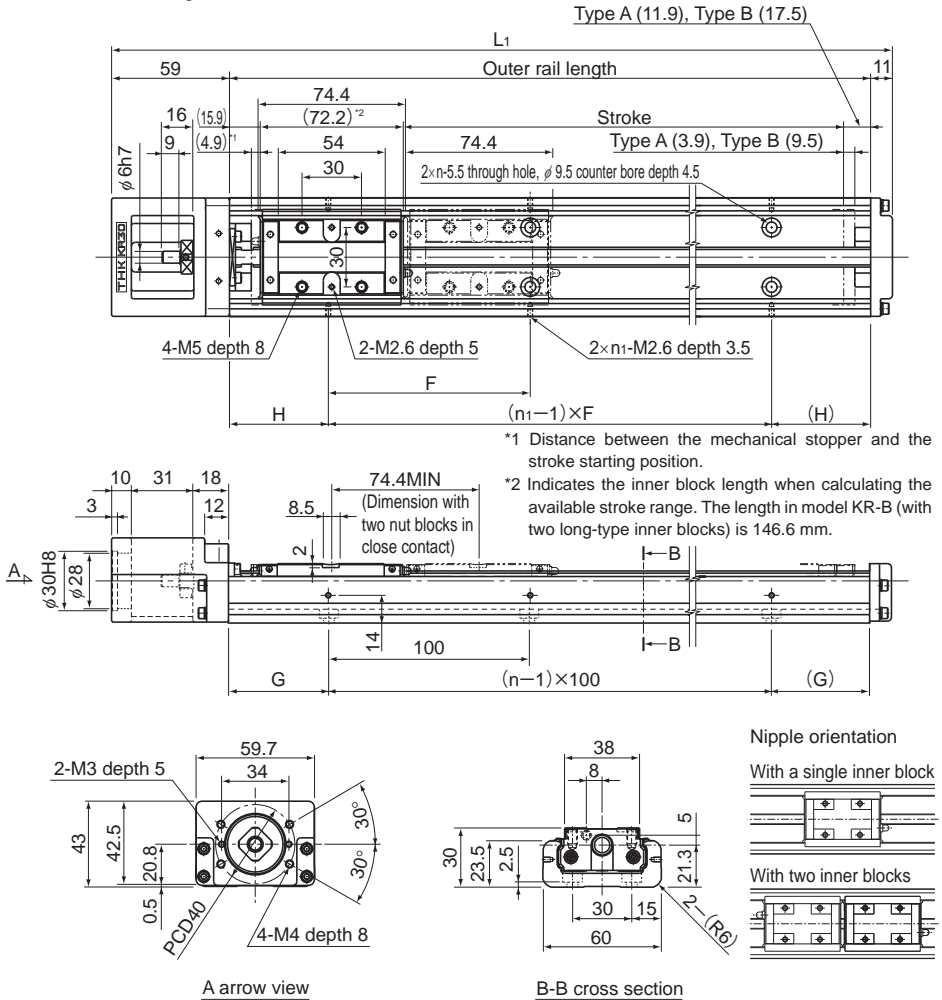


Model KR30H Standard Type

Model KR30H□□A (with a Single Long Nut Block)

Model KR30H□□B (with Two Long Nut Blocks)

For model number coding, see **A2-96**.



Stroke (mm) (stroke between mechanical stoppers)		Outer rail length (mm)	Overall length L_1 (mm)	H (mm)	G (mm)	F (mm)	n	n_1	Overall main unit mass (kg)	
Type A	Type B								Type A	Type B
50(58.8)	—	150	220	25	25	100	2	2	1.4	—
100(108.8)	—	200	270	50	50	100	2	2	1.6	—
200(208.8)	120(134.4)	300	370	50	50	200	3	2	2.2	2.5
300(308.8)	220(234.4)	400	470	100	50	200	4	2	2.7	3
400(408.8)	320(334.4)	500	570	50	50	200	5	3	3.2	3.5
500(508.8)	420(434.4)	600	670	100	50	200	6	3	3.8	4.1

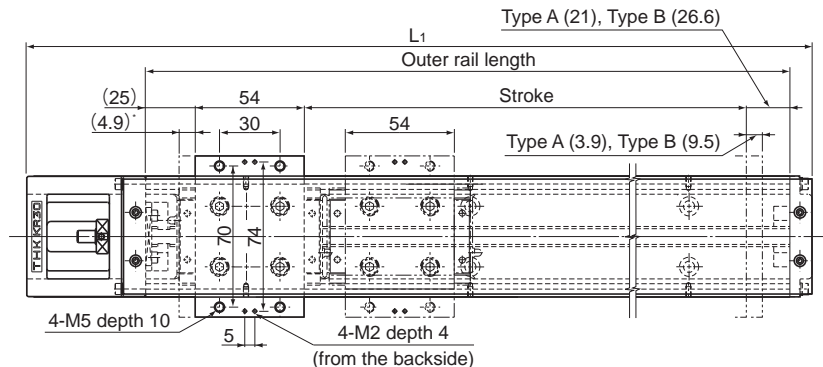
*Indicates a value when two inner blocks are in close contact with each other.

Model KR30H (with a Cover)

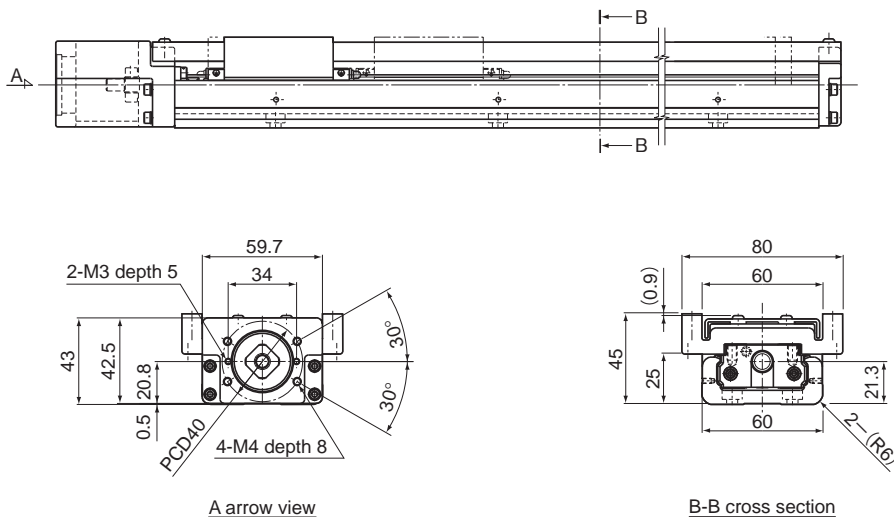
Model KR30H□□A (with a Single Long Nut Block)

Model KR30H□□B (with Two Long Nut Blocks)

For model number coding, see **A2-96**.



* Distance between the mechanical stopper and the stroke starting position.



A arrow view

B-B cross section

Stroke (mm) (stroke between mechanical stoppers)		Outer rail length (mm)	Overall length L_1 (mm)	Overall main unit mass (kg)	
Type A	Type B			Type A	Type B
50(58.8)	—	150	220	1.6	—
100(108.8)	—	200	270	1.8	—
200(208.8)	120(134.4)	300	370	2.4	2.83
300(308.8)	220(234.4)	400	470	3	3.43
400(408.8)	320(334.4)	500	570	3.5	3.93
500(508.8)	420(434.4)	600	670	4.1	4.53

*Indicates a value when two inner blocks are in close contact with each other.