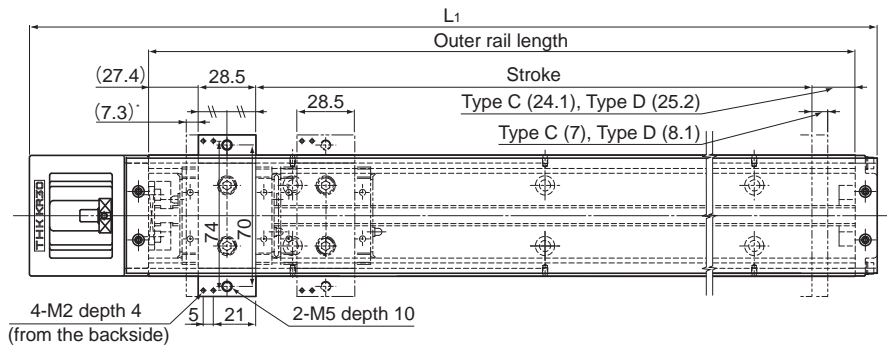


Model KR30H (with a Cover)

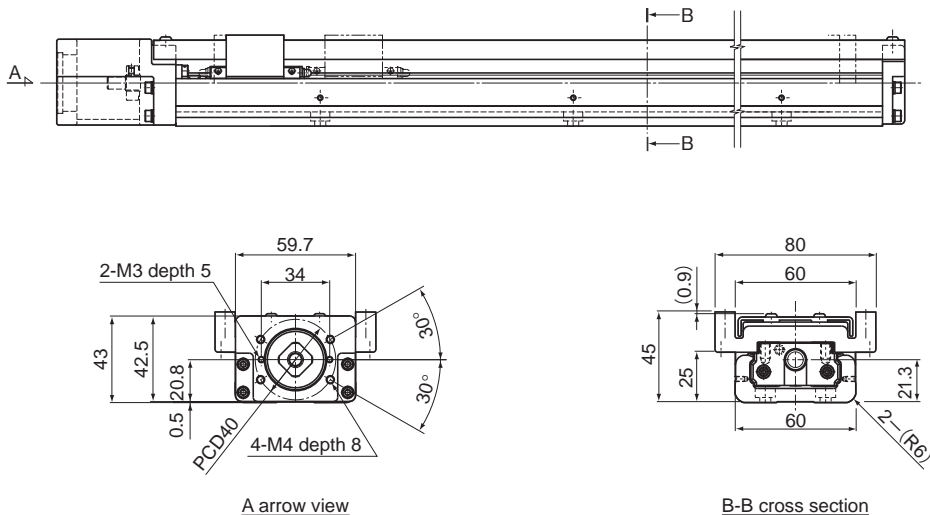
Model KR30H□□C (with a Single Short Nut Block)

Model KR30H□□D (with Two Short Nut Blocks)

For model number coding, see **A2-96**.



* Distance between the mechanical stopper and the stroke starting position.



A arrow view

B-B cross section

Stroke (mm) (stroke between mechanical stoppers)		Outer rail length (mm)	Overall length L_1 (mm)	Overall main unit mass (kg)	
Type C	Type D			Type C	Type D
70(84.3)	20(35.4)	150	220	1.4	1.64
120(134.3)	70(85.4)	200	270	1.6	1.84
220(234.3)	170(185.4)	300	370	2.2	2.44
320(334.3)	270(285.4)	400	470	2.8	3.04
420(434.3)	370(385.4)	500	570	3.3	3.54
520(534.3)	470(485.4)	600	670	3.9	4.14

*Indicates a value when two inner blocks are in close contact with each other.