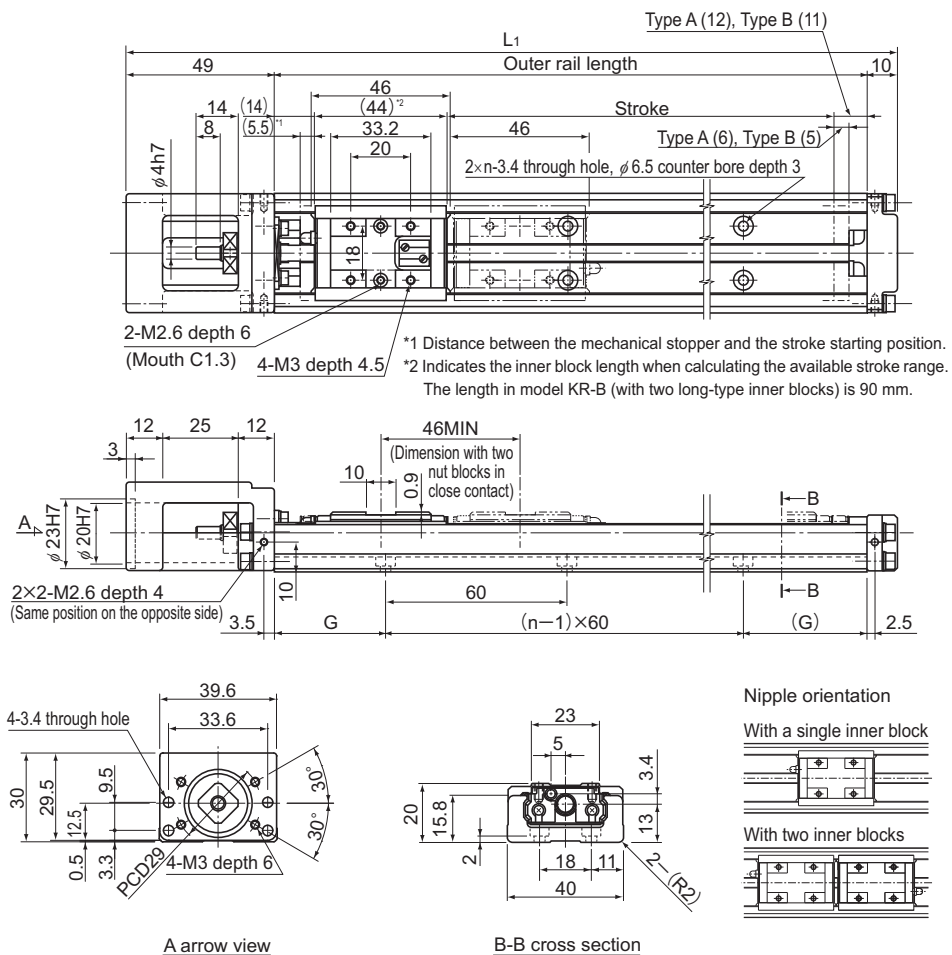


Model KR20 Standard Type

Model KR20□□A (with a Single Long Nut Block)

Model KR20□□B (with Two Long Nut Blocks)

For model number coding, see **A2-106**.



Stroke (mm) (stroke between mechanical stoppers)		Outer rail length (mm)	Overall length L_1 (mm)	G (mm)	n	Overall main unit mass (kg)	
Type A	Type B					Type A	Type B
30(41.5)	—	100	159	20	2	0.48	—
80(91.5)	35(45.5)	150	209	15	3	0.61	0.69
130(141.5)	85(95.5)	200	259	40	3	0.75	0.83

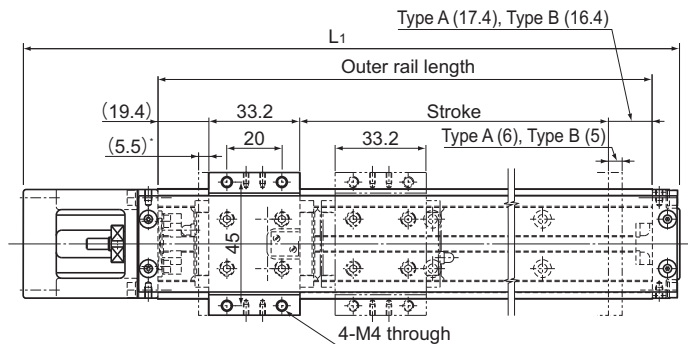
*Indicates a value when two inner blocks are in close contact with each other.

Model KR20 (with a Cover)

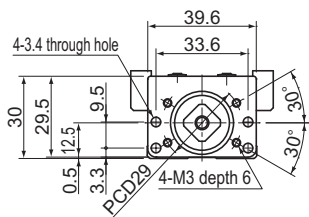
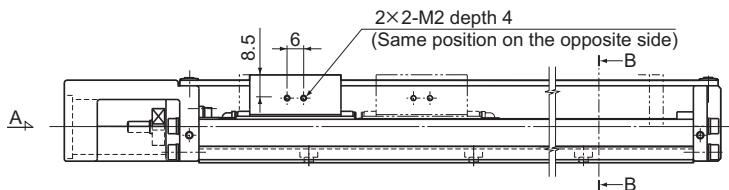
Model KR20□□A (with a Single Long Nut Block)

Model KR20□□B (with Two Long Nut Blocks)

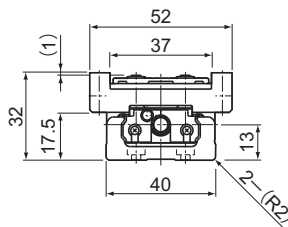
For model number coding, see **A2-106**.



* Distance between the mechanical stopper and the stroke starting position.



A arrow view



B-B cross section

Stroke (mm) (stroke between mechanical stoppers)		Outer rail length (mm)	Overall length L_1 (mm)	Overall main unit mass (kg)	
Type A	Type B			Type A	Type B
30(41.5)	—	100	159	0.56	—
80(91.5)	35(45.5)	150	209	0.71	0.84
130(141.5)	85(95.5)	200	259	0.85	0.98

*Indicates a value when two inner blocks are in close contact with each other.