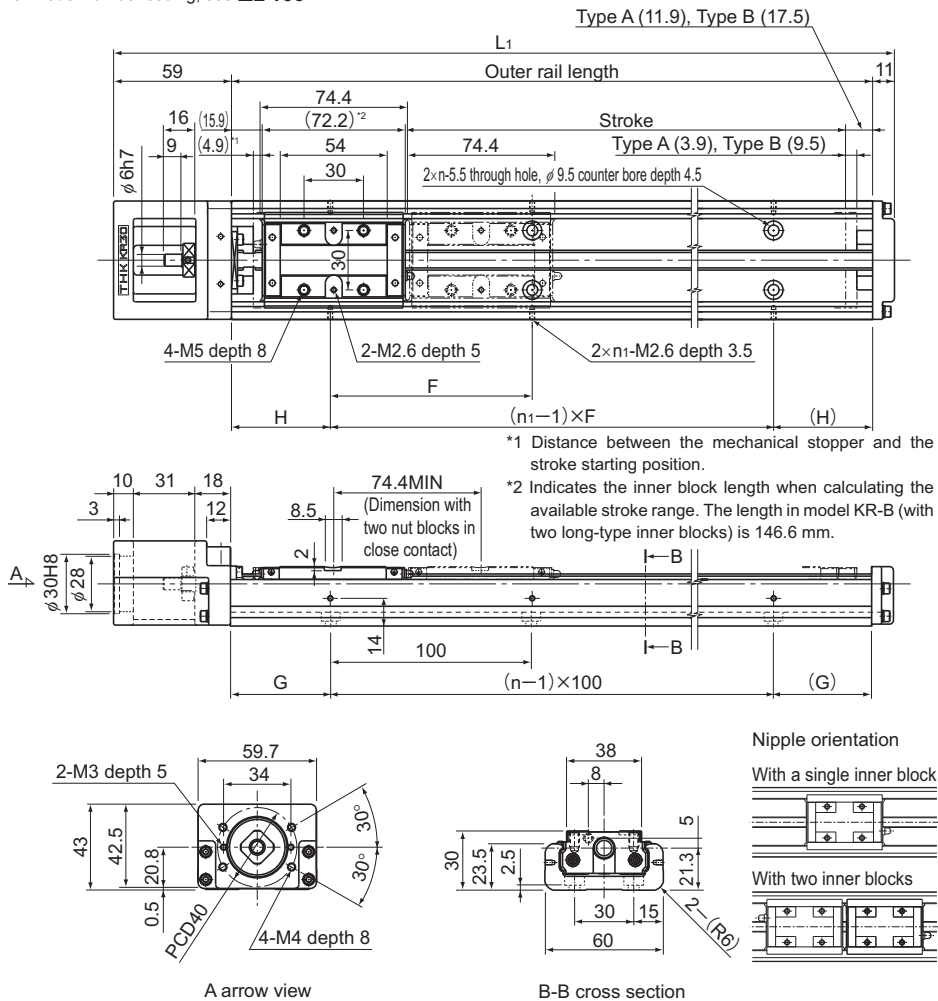


Model KR30H Standard Type

Model KR30H□□A (with a Single Long Nut Block)

Model KR30H□□B (with Two Long Nut Blocks)

For model number coding, see **A2-106**.



Stroke (mm) (stroke between mechanical stoppers)		Outer rail length (mm)	Overall length L ₁ (mm)	H (mm)	G (mm)	F (mm)	n	n ₁	Overall main unit mass (kg)	
Type A	Type B								Type A	Type B
50(58.8)	—	150	220	25	25	100	2	2	1.6	—
100(108.8)	—	200	270	50	50	100	2	2	1.9	—
200(208.8)	120(134.4)	300	370	50	50	200	3	2	2.5	2.9
300(308.8)	220(234.4)	400	470	100	50	200	4	2	3	3.4
400(408.8)	320(334.4)	500	570	50	50	200	5	3	3.6	4
500(508.8)	420(434.4)	600	670	100	50	200	6	3	4.2	4.6

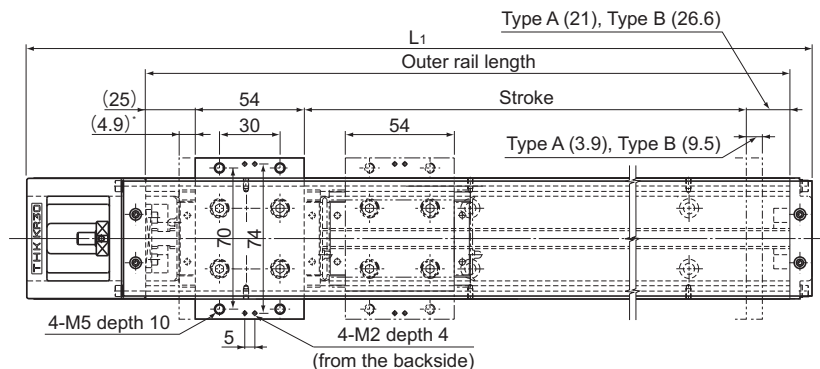
*Indicates a value when two inner blocks are in close contact with each other.

Model KR30H (with a Cover)

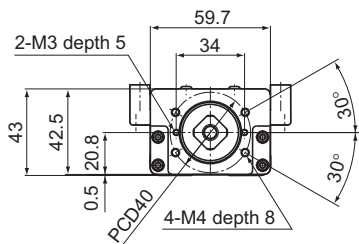
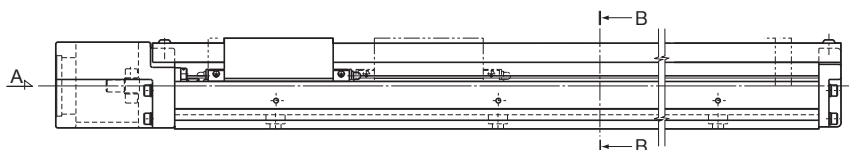
Model KR30H□□A (with a Single Long Nut Block)

Model KR30H□□B (with Two Long Nut Blocks)

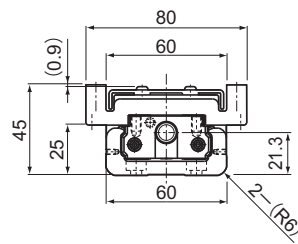
For model number coding, see **A2-106**.



* Distance between the mechanical stopper and the stroke starting position.



A arrow view



B-B cross section

Stroke (mm) (stroke between mechanical stoppers)		Outer rail length (mm)	Overall length L_1 (mm)	Overall main unit mass (kg)	
Type A	Type B			Type A	Type B
50(58.8)	—	150	220	1.9	—
100(108.8)	—	200	270	2.2	—
200(208.8)	120(134.4)	300	370	2.8	3.4
300(308.8)	220(234.4)	400	470	3.4	4
400(408.8)	320(334.4)	500	570	4	4.6
500(508.8)	420(434.4)	600	670	4.6	5.2

*Indicates a value when two inner blocks are in close contact with each other.