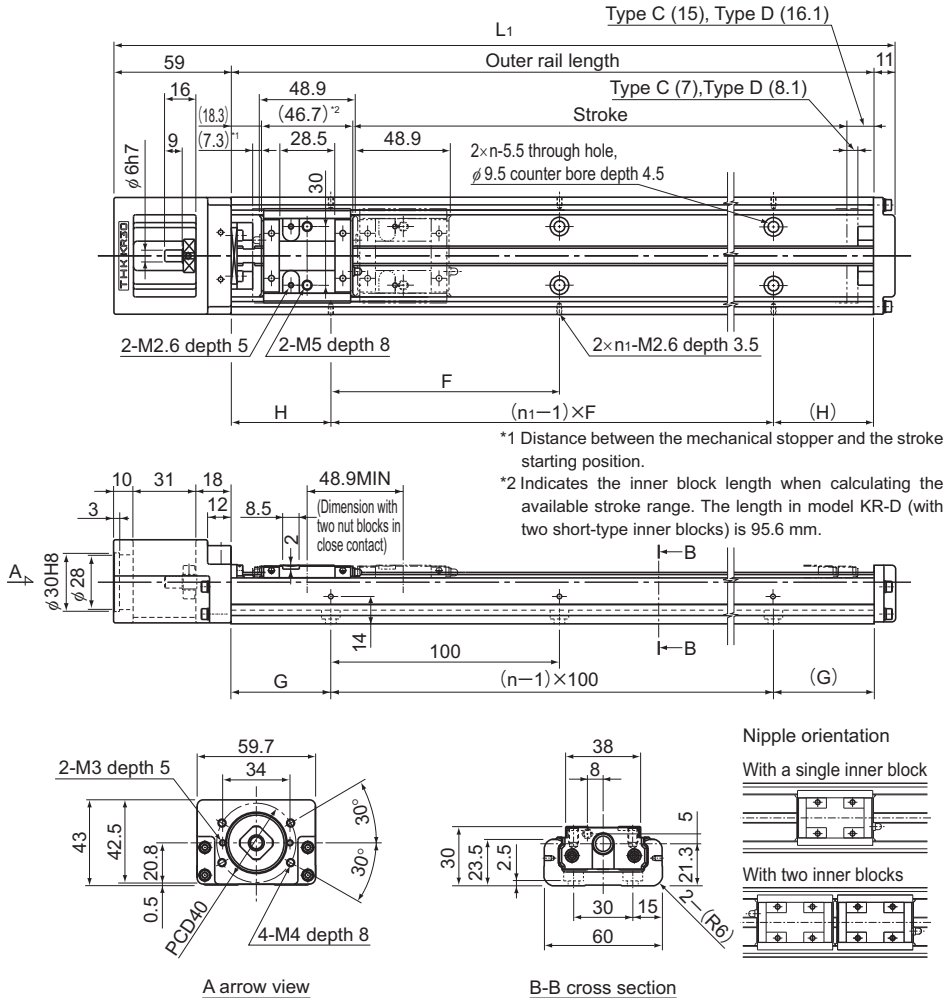


Model KR30H Standard Type

Model KR30H□□C (with a Single Short Nut Block)

Model KR30H□□D (with Two Short Nut Blocks)

For model number coding, see **A2-106**.



A arrow view

B-B cross section

Stroke (mm) (stroke between mechanical stoppers)		Outer rail length (mm)	Overall length L_1 (mm)	H (mm)	G (mm)	F (mm)	n	n_1	Overall main unit mass (kg)	
Type C	Type D								Type C	Type D
70(84.3)	20(35.4)	150	220	25	25	100	2	2	1.4	1.6
120(134.3)	70(85.4)	200	270	50	50	100	2	2	1.7	1.9
220(234.3)	170(185.4)	300	370	50	50	200	3	2	2.3	2.5
320(334.3)	270(285.4)	400	470	100	50	200	4	2	2.8	3
420(434.3)	370(385.4)	500	570	50	50	200	5	3	3.4	3.6
520(534.3)	470(485.4)	600	670	100	50	200	6	3	4	4.2

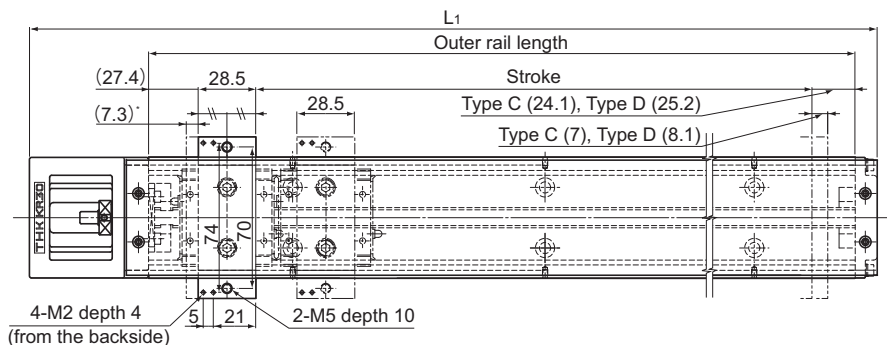
*Indicates a value when two inner blocks are in close contact with each other.

Model KR30H (with a Cover)

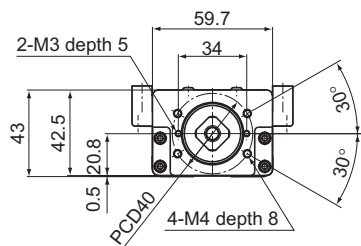
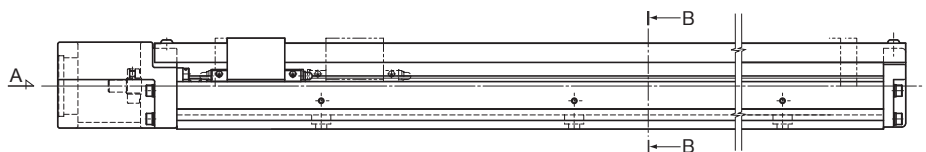
Model KR30H□□C (with a Single Short Nut Block)

Model KR30H□□D (with Two Short Nut Blocks)

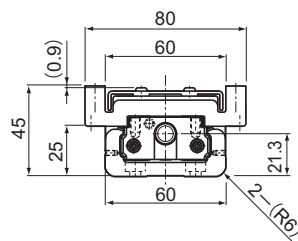
For model number coding, see **A2-106**.



* Distance between the mechanical stopper and the stroke starting position.



A arrow view



B-B cross section

Stroke (mm) (stroke between mechanical stoppers)		Outer rail length (mm)	Overall length L ₁ (mm)	Overall main unit mass (kg)	
Type C	Type D			Type C	Type D
70(84.3)	20(35.4)	150	220	1.6	1.9
120(134.3)	70(85.4)	200	270	1.9	2.2
220(234.3)	170(185.4)	300	370	2.5	2.8
320(334.3)	270(285.4)	400	470	3.1	3.4
420(434.3)	370(385.4)	500	570	3.7	4
520(534.3)	470(485.4)	600	670	4.3	4.6

*Indicates a value when two inner blocks are in close contact with each other.