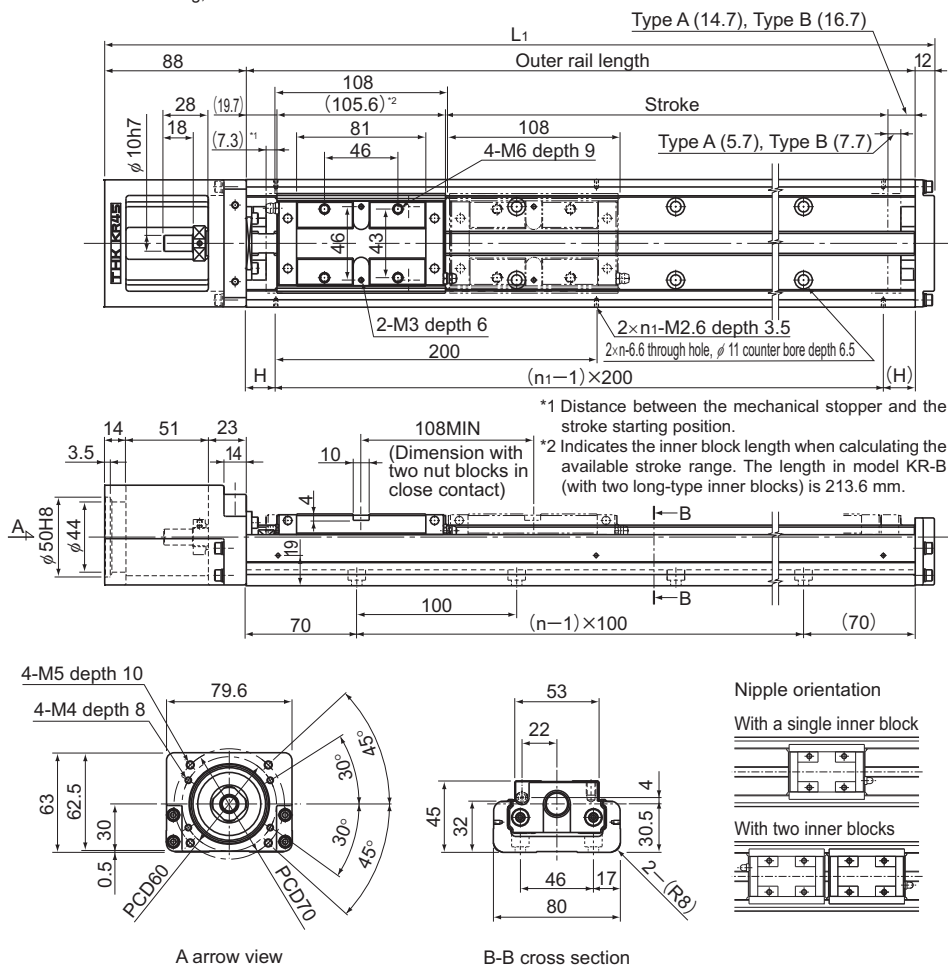


Model KR45H Standard Type

Model KR45H□□A (with a Single Long Nut Block)

Model KR45H□□B (with Two Long Nut Blocks)

For model number coding, see **A2-106**.



Stroke (mm) (stroke between mechanical stoppers)		Outer rail length (mm)	Overall length L ₁ (mm)	H (mm)	n	n ₁	Overall main unit mass (kg)	
Type A	Type B [*]						Type A	Type B
200(213)	90(105)	340	440	70	3	2	5.4	6.4
300(313)	190(205)	440	540	20	4	3	6.5	7.5
400(413)	290(305)	540	640	70	5	3	7.5	8.5
500(513)	390(405)	640	740	20	6	4	8.6	9.6
600(613)	490(505)	740	840	70	7	4	9.7	10.7
700(713)	590(605)	840	940	20	8	5	10.7	11.7
800(813)	690(705)	940	1040	70	9	5	11.8	12.8

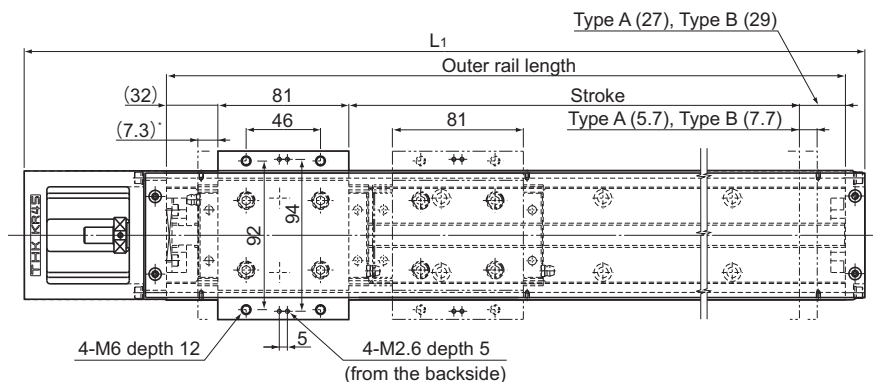
*Indicates a value when two inner blocks are in close contact with each other.

Model KR45H (with a Cover)

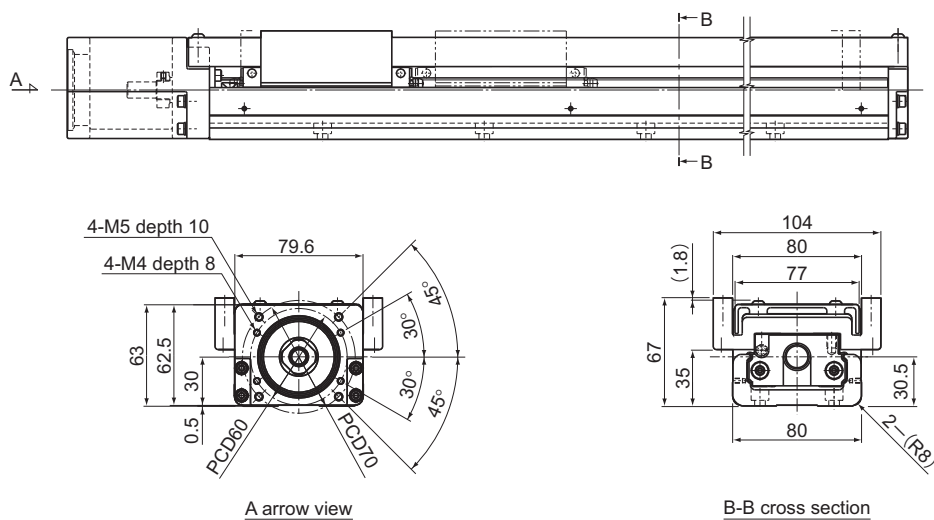
Model KR45H□□A (with a Single Long Nut Block)

Model KR45H□□B (with Two Long Nut Blocks)

For model number coding, see **A2-106**.



* Distance between the mechanical stopper and the stroke starting position.



Stroke (mm) (stroke between mechanical stoppers)		Outer rail length (mm)	Overall length L_1 (mm)	Overall main unit mass (kg)	
Type A	Type B*			Type A	Type B
200(213)	90(105)	340	440	6.4	7.8
300(313)	190(205)	440	540	7.6	9
400(413)	290(305)	540	640	8.7	10.1
500(513)	390(405)	640	740	9.9	11.3
600(613)	490(505)	740	840	11	12.4
700(713)	590(605)	840	940	12.2	13.6
800(813)	690(705)	940	1040	13.3	14.7

*Indicates a value when two inner blocks are in close contact with each other.