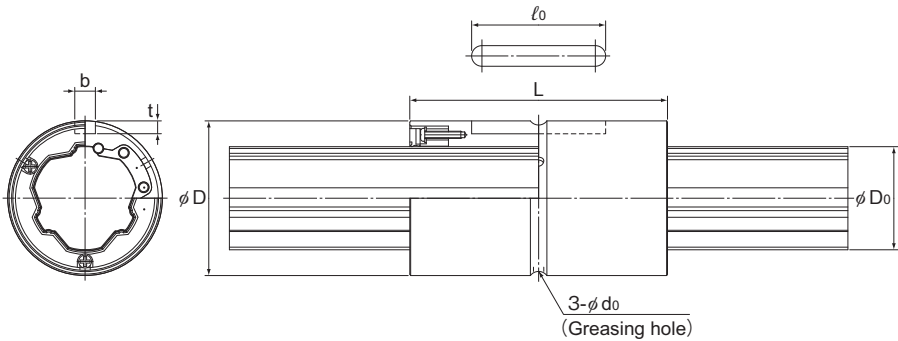


Model SLS



Model No.	Spline nut dimensions							
	Outer diameter		Length		Keyway dimensions			Greasing hole
	D	Tolerance	L	Tolerance	b H8	t +0.1 0	ℓ_0	d_0
SLS25	37	0	60	-0.3	5	3	33	2
SLS25L			70					
SLS30	45	-0.016	70		7	4	41	3
SLS30L			80					
SLS40	60	0	90		10	4.5	55	3
SLS40L			100					
SLS50	75	-0.019	100		15	5	60	4
SLS50L			112					
SLS60	90	0	127		18	6	68	4
SLS60L			140					
SLS70	100	-0.022	110	18	6	68	4	
SLS70L			135					
SLS80	120	0	140	20	7	80	5	
SLS80L			155					
SLS100	140	0	160	28	9	93	5	
SLS100L			185					

Model number coding

2 SLS50 UU CL +700L P K

Model No.

Symbol for clearance
in the rotational direction
(*2)

Symbol for standard hollow spline shaft (*4)
Accuracy symbol (*3)

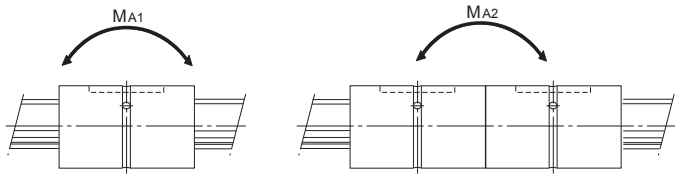
Contamination protection
accessory symbol (*1)

Overall spline shaft length (*5)
(in mm)

Number of spline nuts on one shaft (no symbol for one nut)

(*1) See **A3-126**. (*2) See **A3-30**. (*3) See **A3-35**. (*4) See **A3-48**. (*5) See **A3-121**.

High Torque Caged Ball Spline



Unit: mm

	Basic torque rating		Basic load rating		Static permissible moment		Mass	
	C_T N·m	C_{0T} N·m	C kN	C_0 kN	M_{A1} N·m	M_{A2} N·m	Spline Nut kg	Spline shaft kg/m
	219.9	306.8	18.2	22.5	136	851	0.15	3.51
	261.9	394.5	21.7	29.0	220	1203	0.18	
	366.5	513.3	25.4	31.5	233	1341	0.30	5.05
	416.4	616.0	28.9	37.8	330	1803	0.34	
	818.9	1135.4	42.8	52.5	520	2801	0.69	9.18
	890.0	1277.3	46.5	59.1	652	3529	0.79	
	1373.4	1783.1	57.6	66.2	687	4156	1.30	14.45
	1571.2	2165.2	65.9	80.4	996	5349	1.47	
	2506.7	3321.0	87.8	103.0	1452	7733	2.25	21.23
	2723.2	3736.2	95.3	115.8	1820	9570	2.50	
	2986.3	3474.7	89.7	92.5	1038	6392	2.13	28.57
	3708.4	4738.2	111.4	126.1	1867	10135	2.71	
	4664.6	5477.4	122.8	127.7	1739	11482	4.22	37.49
	5195.3	6390.4	136.8	148.9	2327	14491	4.77	
	8922.3	10211.6	188.2	190.7	3155	19118	5.20	58.97
	10424.4	12764.6	219.8	238.4	4816	26463	6.22	