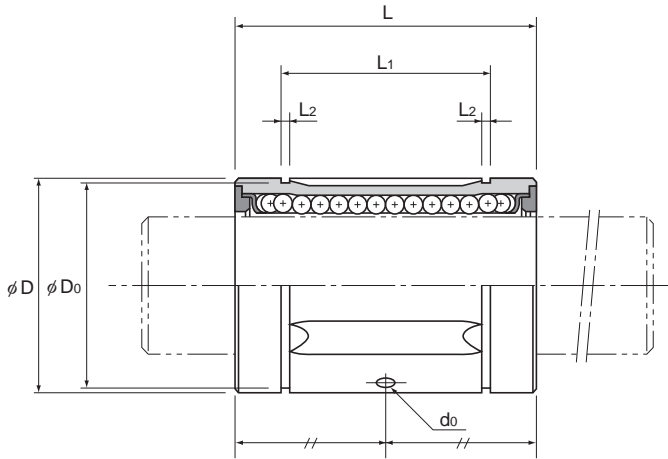


Model LM-GA (Metal Retainer Type)



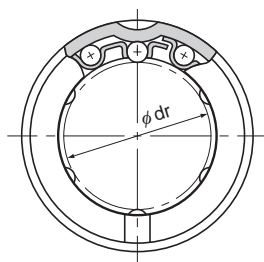
Model No.			Ball rows	Main									
Standard type	Clearance-adjustable type	Open type		Inscribed bore diameter		Outer diameter		Length					
				dr	Tolerance		D	Tolerance High/Precision	L	Tolerance			
LM 6GA	—	—	3	6	0	-0.009	0	-0.006	12	0	19	-0.2	
LM 8SGA	—	—	3	8					15		-0.011		17
LM 8GA	—	—	3	8					15				24
LM 10GA	—	—	4	10					19				29
LM 12GA	LM 12GA-AJ	LM 12GA-OP	4	12					21		0		30
LM 13GA	LM 13GA-AJ	LM 13GA-OP	4	13					23		-0.013		32
LM 16GA	LM 16GA-AJ	LM 16GA-OP	4	16	28		37						
LM 20GA	LM 20GA-AJ	LM 20GA-OP	5	20	32	0	42	-0.2					
LM 25GA	LM 25GA-AJ	LM 25GA-OP	5	25	40	-0.010	59						
LM 30GA	LM 30GA-AJ	LM 30GA-OP	6	30	45	-0.007	64						
LM 35GA	LM 35GA-AJ	LM 35GA-OP	6	35	52	0	70						
LM 38GA	LM 38GA-AJ	LM 38GA-OP	6	38	57	0	76						
LM 40GA	LM 40GA-AJ	LM 40GA-OP	6	40	60	-0.012	80						
LM 50GA	LM 50GA-AJ	LM 50GA-OP	6	50	80	-0.008	100	-0.3					
LM 60GA	LM 60GA-AJ	LM 60GA-OP	6	60	90	0	110						
LM 80GA	LM 80GA-AJ	LM 80GA-OP	6	80	120	-0.015	140						
LM 100GA	LM 100GA-AJ	LM 100GA-OP	6	100	150	0	175						
LM 120A	LM 120A-AJ	LM 120A-OP	8	120	180	-0.020	200						
									0	-0.4			

Note) If requiring a type equipped with a seal, indicate it when placing an order. (seal heat resistance: 80°C.)

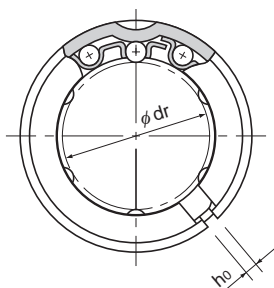
(Example) LM50GA UU

Seal attached on both ends of the nut

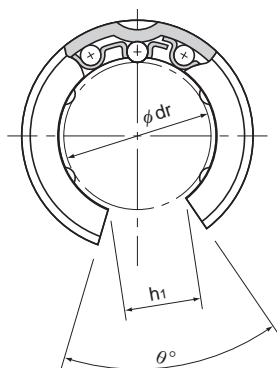
For the clearance-adjustable type (-AJ) and open type (-OP), the inscribed bore diameter tolerance, the outer diameter tolerance, and the eccentricity indicate the values before the division of the nut.



Model LM-GA



Model LM-GA-AJ



Model LM-GA-OP

Unit: mm

dimensions								Greasing hole d _o	Eccentricity (max) μm		Radial clearance tolerance μm	Basic load rating		Mass g
L ₁	Tolerance	L ₂	D _o	h _o	h ₁	θ°	High		Precision	C N		C ₀ N		
13.5	0 -0.2	1.1	11.5	—	—	—	—	12	8	-5	206	265	7	
11.5		1.1	14.3	—	—	—	—	12	8	-5	176	225	10	
17.5		1.1	14.3	—	—	—	—	12	8	-5	265	402	14	
22		1.3	18	—	—	—	—	2	12	8	-5	373	549	27
23		1.3	20	1.5	7.5	80	2	12	8	-5	412	598	31	
23		1.3	22	1.5	9	80	2	12	8	-7	510	775	41	
26.5		1.6	27	1.5	11	60	2.3	12	8	-7	775	1180	69	
30.5		1.6	30.5	2	11	60	2.3	15	10	-9	863	1370	92	
41	0 -0.3	1.85	38	2	13	60	3	15	10	-9	980	1570	200	
44.5		1.85	43	2.5	15	50	3	15	10	-9	1570	2750	250	
49.5		2.1	49	2.5	17	50	3	20	12	-13	1670	3140	370	
58.5		2.1	54.5	3	18	50	3	20	12	-13	2160	4020	490	
60.5		2.1	57	3	20	50	3	20	12	-13	2160	4020	590	
74		2.6	76.5	3	25	50	4	20	12	-13	3820	7940	1500	
85		3.15	86.5	3	30	50	4	25	17	-16	4710	10000	1850	
105.5		0 -0.4	4.15	116	3	40	50	4	25	17	-16	7350	16000	4200
125.5	4.15		145	3	50	50	4	30	20	-20	14100	34800	8200	
158.6	4.15		175	4	85	80	5	30	20	-25	16400	40000	15500	

Note) When using the Linear Bushing on a single shaft, use two or more bushings on the same shaft to minimize a moment load, and secure a large distance between the units.

Model LM-GA has oil holes as a standard feature.

If an oil hole is required, this can be indicated by appending "OH" to the end of the model number.

For further information, contact THK.