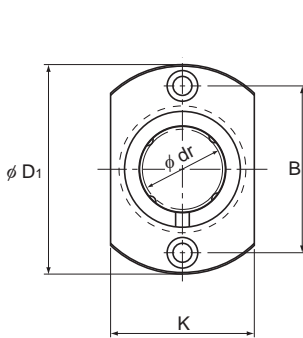
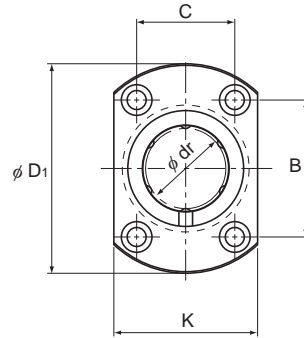


Model LMH-ML (Stainless Steel Type)



Models LMH 6ML to 13ML



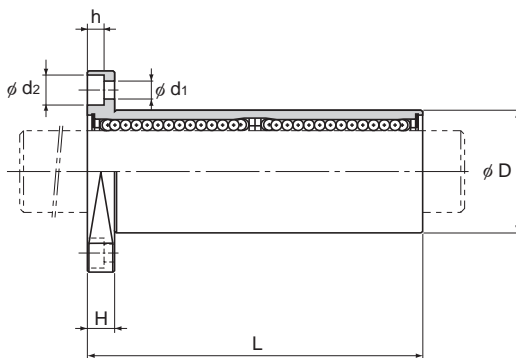
Models LMH 16ML to 30ML

Model No.	Ball rows	Main dimensions							
		Inscribed bore diameter		Outer diameter		Length		Flange diameter	
		dr	Tolerance	D	Tolerance	L	Tolerance	D ₁	Tolerance
LMH 6ML	4	6	0 -0.010	12	0	35	0 -0.3	28	0 -0.2
LMH 8ML	4	8		15	-0.013	45		32	
LMH 10ML	4	10		19	0 -0.016	55		39	
LMH 12ML	4	12		21		57		42	
LMH 13ML	4	13		23		61		43	
LMH 16ML	5	16	28	70	48				
LMH 20ML	5	20	32	80	54				
LMH 25ML	6	25	40	0 -0.019	112	0	62		
LMH 30ML	6	30	45		123	-0.4	74		

Note) Since this model contains a synthetic resin retainer, do not use it at temperature exceeding 80°C.
If an equipped seal is required, please specify when placing an order.

(Example) LMH20ML UU

Seal attached on both ends of the nut



Unit: mm

	K	H	B	C	Mounting hole d ₁ × d ₂ × h	Flange perpendicularity μm	Eccentricity (max) μm	Radial clearance tolerance μm	Basic load rating		Mass g
									C N	C ₀ N	
	18	5	20	—	3.4 × 6.5 × 3.3	15	15	-5	324	529	27
	21	5	24	—	3.4 × 6.5 × 3.3	15	15	-5	431	784	41
	25	6	29	—	4.5 × 8 × 4.4	15	15	-5	588	1100	72
	27	6	32	—	4.5 × 8 × 4.4	15	15	-5	657	1200	81
	29	6	33	—	4.5 × 8 × 4.4	15	15	-7	814	1570	105
	34	6	31	22	4.5 × 8 × 4.4	15	15	-7	1230	2350	182
	38	8	36	24	5.5 × 9.2 × 5.4	20	20	-9	1400	2750	217
	46	8	40	32	5.5 × 9.2 × 5.4	20	20	-9	1560	3140	477
	51	10	49	35	6.6 × 11 × 6.5	20	20	-9	2490	5490	575

Note) Since the nut and the balls use stainless steel, these models are highly resistant to corrosion and environment.
If oil holes are required, please specify by adding OH to the end of the model number.
For further information, contact THK.