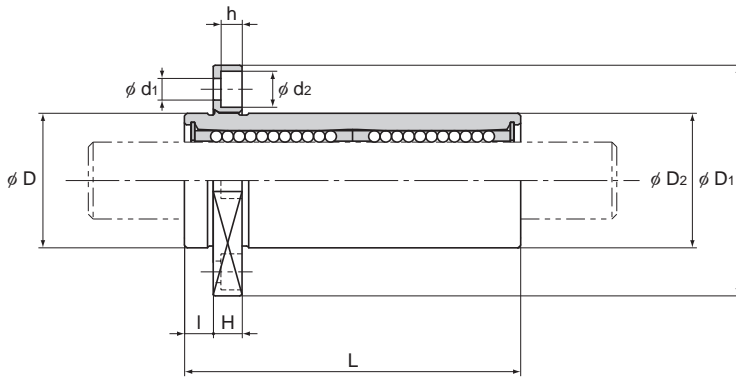


Model LMIK-L



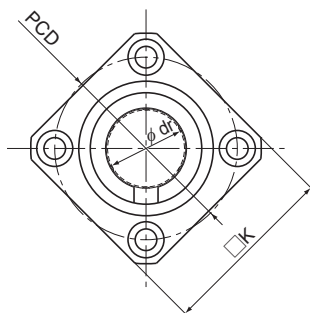
Model LMIK-L

Model No.	Ball rows	Main dimensions							
		Inscribed bore diameter		Outer diameter		Overall length		Flange diameter	
		dr	Tolerance	D	Tolerance	L	Tolerance	D ₁	Tolerance
LMIK 6L	4	6	0 -0.010	12	0	35	±0.3	28	0 -0.2
LMIK 8L		8		15	-0.013	45		32	
LMIK 10L		10		19	0 -0.016	55		39	
LMIK 12L		12		21		57		42	
LMIK 13L	5	13	0 -0.012	23	0 -0.019	61	±0.3	43	0 -0.2
LMIK 16L		16		28		70		48	
LMIK 20L		20		32		80		54	
LMIK 25L		25		40		112		62	

Note) Since this model contains a synthetic resin retainer, do not use it at temperature exceeding 80°C.
If requiring a type equipped with a seal, indicate it when placing an order.

(Example) LMIK16L UU

└── Seal attached on both ends of the nut



Unit: mm

	Length		D ₂	H	K	PCD	Mounting hole d ₁ × d ₂ × h	Flange	Eccentricity (max) μm	Radial clearance tolerance μm	Basic Load Rating		Mass g	
	l	Tolerance						perpendicularity μm			C	C ₀		
5		±0.2	12	5	22	20	3.4 × 6 × 3.3	12	12	-5	324	529	25	
			15		25	24		12			-5	431	784	39
6		±0.2	19	6	30	29	4.5 × 7.5 × 4.4	12	12	-5	588	1100	69	
			21		32	32		12			-5	657	1200	78
			23		34	33		12			-7	814	1570	101
			28		37	38		12			-7	1230	2350	174
8		±0.2	32	8	42	43	5.5 × 9 × 5.4	15	15	-9	1400	2750	210	
			40		50	51		15			-9	1560	3140	461

Note) If an oil hole is required, this can be indicated by appending "OH" to the end of the model number.
For further information, contact THK.