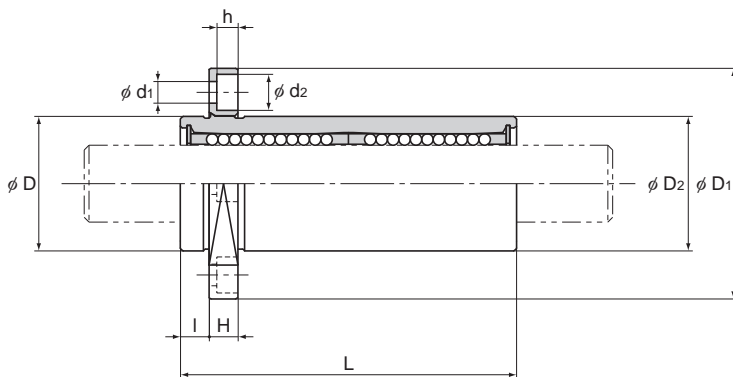


# Model LMIH-L



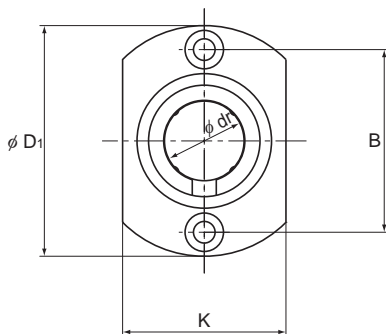
Model LMIH-L

Model No.	Ball rows	Main dimensions							
		Inscribed bore diameter		Outer diameter		Overall length		Flange diameter	
Standard Type		dr	Tolerance	D	Tolerance	L	Tolerance	D <sub>1</sub>	Tolerance
LMIH 6L	4	6	0 -0.010	12	0	35	±0.3	28	0 -0.2
LMIH 8L		8		15	-0.013	45		32	
LMIH 10L		10		19	0 -0.016	55		39	
LMIH 12L		12		21		57		42	
LMIH 13L	5	13	0 -0.012	23	0 -0.019	61	±0.3	43	0 -0.2
LMIH 16L		16		28		70		48	
LMIH 20L		20		32		80		54	
LMIH 25L		25		40		112		62	

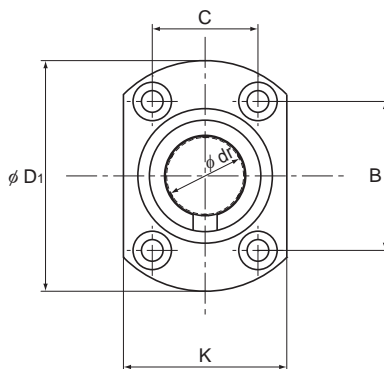
Note) Since this model contains a synthetic resin retainer, do not use it at temperature exceeding 80°C.  
If requiring a type equipped with a seal, indicate it when placing an order.

(Example) LMIH16L UU

└ Seal attached on both ends of the nut



Models LMIH 6L to 13L



Models LMIH 16L to 25L

Unit: mm

	Length		D <sub>2</sub>	H	K	B	C	Mounting hole d <sub>1</sub> × d <sub>2</sub> × h	Flange perpendicularity μm	Eccentricity (max) μm	Radial clearance tolerance μm	Basic Load Rating		Mass g	
	I	Tolerance										C	C <sub>0</sub>		
5		±0.2	12	5	18	20	—	3.4 × 6 × 3.3	12	12	-5	324	529	26	
			15		21	24	—		12			-5	431	784	41
6		±0.2	19	6	25	29	—	4.5 × 7.5 × 4.4	12	12	-5	588	1100	73	
			21		27	32	—		12			-5	657	1200	83
			23		29	33	—		12			-7	814	1570	106
			28		34	31	22		12			-7	1230	2350	180
8		±0.2	32	8	38	36	24	5.5 × 9 × 5.4	15	15	-9	1400	2750	219	
			40		46	40	32		15			-9	1560	3140	470

Note) If an oil hole is required, this can be indicated by appending "OH" to the end of the model number.  
For further information, contact THK.