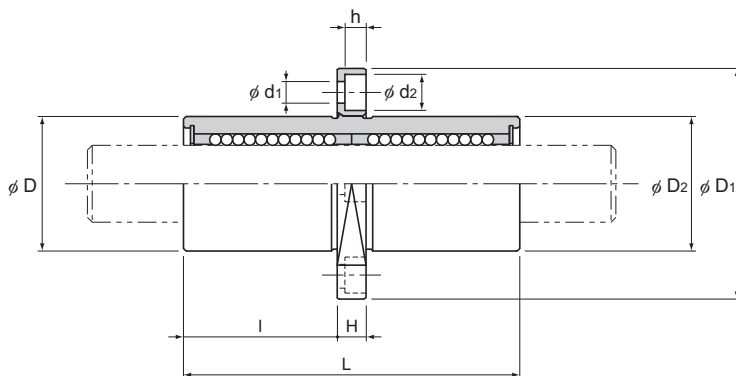


Model LMCH-L



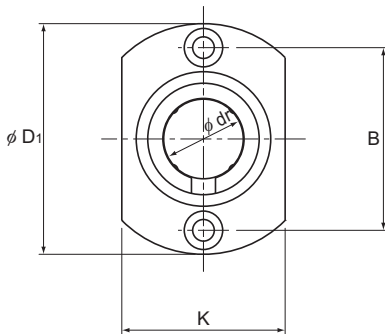
Model LMCH-L

Model No.	Ball rows	Main dimensions							
		Inscribed bore diameter		Outer diameter		Overall length		Flange diameter	
		dr	Tolerance	D	Tolerance	L	Tolerance	D ₁	Tolerance
LMCH 6L	4	6	0 -0.010	12	0	35	±0.3	28	0 -0.2
LMCH 8L		8		15	-0.013	45		32	
LMCH 10L		10		19	55	39			
LMCH 12L		12		21	0	57		42	
LMCH 13L		13		23	-0.016	61		43	
LMCH 16L	5	16	0	28	0	70	±0.3	48	0 -0.2
LMCH 20L		20		32		80		54	
LMCH 25L		25		-0.012		40		-0.019	

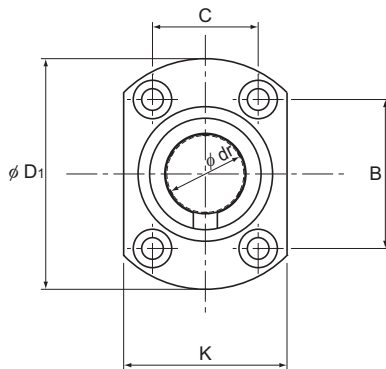
Note) Since this model contains a synthetic resin retainer, do not use it at temperature exceeding 80°C.
If requiring a type equipped with a seal, indicate it when placing an order.

(Example) LMCH16L UU

_____ Seal attached on both ends of the nut



Models LMCH 6L to 13L



Models LMCH 16L to 25L

Unit: mm

								Flange perpendicularity	Eccentricity (max)	Radial clearance tolerance	Basic Load Rating		Mass	
Length		D_2	H	K	B	C	Mounting hole $d_1 \times d_2 \times h$				μm	μm		C
I	Tolerance							N	N					
15	± 0.2	12	5	18	20	—	$3.4 \times 6 \times 3.3$	12	12	-5	324	529	26	
20		15		21	24	—		12		-5	431	784	41	
24.5		19		25	29	—	12	-5		588	1100	73		
25.5		6	21	27	32	—	$4.5 \times 7.5 \times 4.4$	12		-5	657	1200	83	
27.5			23	29	33	—		12		-7	814	1570	106	
32			28	34	31	22		12		-7	1230	2350	180	
36		8	32	38	36	24	$5.5 \times 9 \times 5.4$	15		15	-9	1400	2750	219
52			40	46	40	32		15			-9	1560	3140	470

Note) If a lubrication hole is required, this can be indicated by appending "OH" to the end of the model number.
For further information, contact THK.