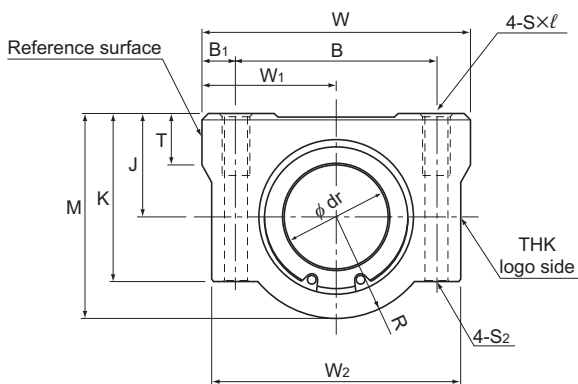


## Models SC6 to 30



Models SC6 to 30

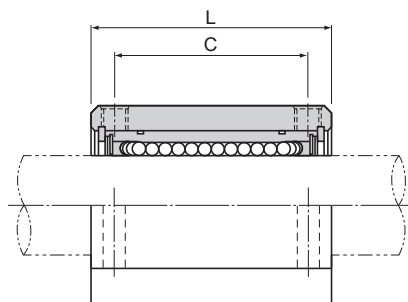
Model No.	Outer dimensions			LM casing dimensions						
	Height M	Width W	Length L	Mounting hole position			Tap S × l	Through bolt model No. S <sub>2</sub>	Center height J ±0.02	W <sub>1</sub> ±0.02
				B	B <sub>1</sub>	C				
SC 6UU	18	30	25	20	5	15	M4 × 8	M3	9	15
SC 8UU	22	34	30	24	5	18	M4 × 8	M3	11	17
SC 10UU	26	40	35	28	6	21	M5 × 12	M4	13	20
SC 12UU	29	42	36	30.5	5.75	26	M5 × 12	M4	15	21
SC 13UU	30	44	39	33	5.5	26	M5 × 12	M4	15	22
SC 16UU	38.5	50	44	36	7	34	M5 × 12	M4	19	25
SC 20UU	42	54	50	40	7	40	M6 × 12	M5	21	27
SC 25UU	51.5	76	67	54	11	50	M8 × 18	M6	26	38
SC 30UU	59.5	78	72	58	10	58	M8 × 18	M6	30	39

Note) Since this model contains a synthetic resin retainer, do not use it at temperature exceeding 80°C.

A stainless steel Linear Bushing model LM-MG, which is highly corrosion resistant, can also be incorporated at your request.

Example of Model Number for Use in Combination with  
Linear Bushing Units

Linear Bushing to be combined	Example of model No.	
Both end attached with seal	SC 13UU	Standard stock
Without seal	SC 13	Build to order
Made of stainless steel; both end attached with seal	SC 13MUU	Build to order



Unit: mm

							Model No. of Linear Bushing to be combined	Basic load rating		Unit
								C	C <sub>0</sub>	Mass
K	W <sub>2</sub>	T	R	Inscribed bore diameter		N				
	15	28	6	9	6	0 -0.009	LM6UU	206	265	34
	18	32	6	11	8		LM8UU	265	402	52
	22	37	8	13	10		LM10UU	373	549	92
	25	39	8	14	12		LM12UU	412	598	102
	26	41	8	15	13		LM13UU	510	775	123
	35	46	9	19.5	16		LM16UU	775	1180	189
	36	52	11	21	20	0 -0.010	LM20UU	863	1370	237
	41	68	12	25.5	25		LM25UU	980	1570	555
	49	72	15	29.5	30		LM30UU	1570	2750	685

Note) If a lubrication hole is required, this can be indicated by appending "OH" to the end of the model number.  
For further information, contact THK.