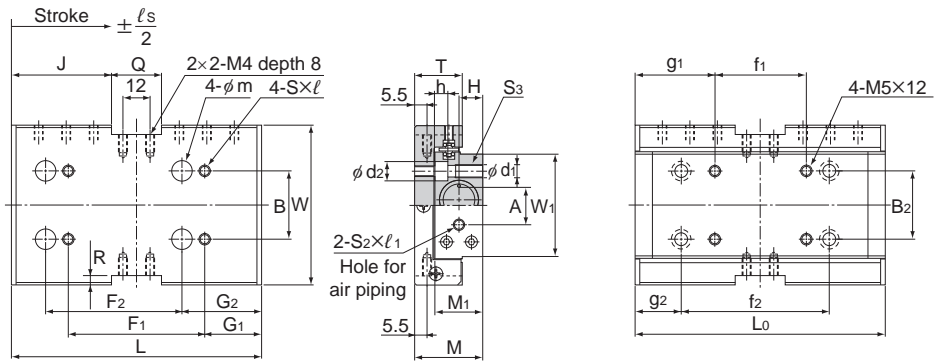


Model LSC



Model No.	Max. Stroke ℓ_s	Cylinder Inner diameter	Slider dimensions					
			Theoretical thrust (at 500 kPa) N	Height M ± 0.05	Width W	L	T	B
LSC 1015	15	10	38.2	25	50	80	24	20
LSC 1515	15	15	86.3	30	70	80	21	30
LSC 1530	30	15	86.3	30	70	110	21	30
LSC 1550	50	15	86.3	30	70	150	21	30

Model No.	L_0	B_2	Base dimensions						
			f_2	g_2	f_1	g_1	$d_1 \times d_2 \times h$	A	S_3
LSC 1015	80	20	40	20	—	—	3.3×5.5×3.5	13	M4
LSC 1515	80	30	40	21	23	29.5	5.2×9×5.5	17	M6
LSC 1530	110	30	60	25	40	35	5.2×9×5.5	17	M6
LSC 1550	150	30	100	25	78	36	5.2×9×5.5	17	M6

Model number coding

LSC1515 B S L

Model number

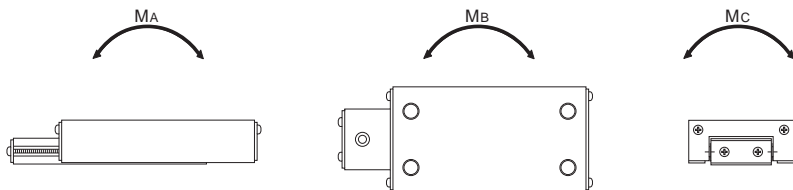
With unit base

With external stopper

With limit switch

Note) Unit base, external stopper and limit switch are not available for model LSC1015.

The speed controller is optional.



Unit: mm

Slider dimensions										
	F_1	G_1	$S \times l$	m	G_2	F_2	J	Q	R	M_1
	40	20	M4×7	5.5	12.5	40	—	—	—	16.5
	40	19	M5×8	9	28.5	40	29	22	4	21
	60	25	M5×8	9	35	60	44	22	4	21
	100	25	M5×8	9	50	50	64	22	4	21

Base dimensions			Static permissible moment*		Basic load rating		Mass kg
W_1	H	$S_2 \times l_1$	M_A, M_B N•m	M_C N•m	C N	C_0 N	
31.2	5.5	M5×5	4.9	7.45	392	676	0.25
45	10.5	M5×4.5	4.9	11.1	392	676	0.37
45	10.5	M5×4.5	8.43	15.4	549	951	0.52
45	10.5	M5×4.5	15.4	22.1	794	1350	0.72

Note) * M_A , M_B and M_C each indicate the permissible moment per LM system, as shown in the figure above.