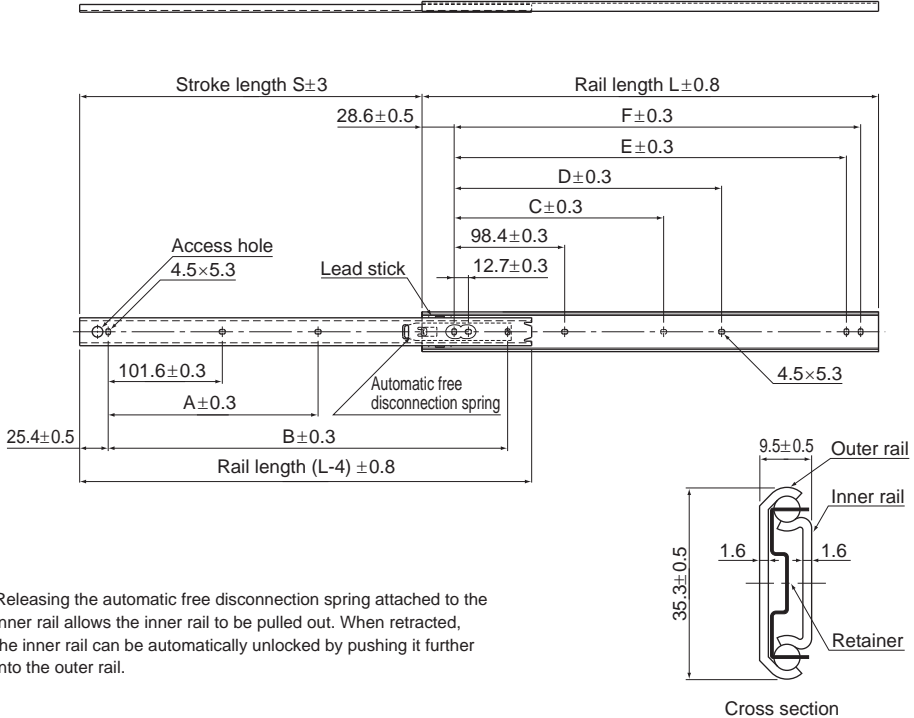


Model FBL 35S-P14



Releasing the automatic free disconnection spring attached to the inner rail allows the inner rail to be pulled out. When retracted, the inner rail can be automatically unlocked by pushing it further into the outer rail.

Unit: mm

Rail length L (± 0.8)	Stroke S (± 3)	Mounting hole dimensions						Mounting hole		Permissible load N/pair	Mass kg/pair
		A	B	C	D	E	F	Inner rail	Outer rail		
305	224	152.4	—	136.5	—	247.6	260.3	3	6	490	0.6
356	275	203.2	—	187.3	—	298.4	311.1	3	6	400	0.72
406	315	254.0	—	238.1	—	349.2	361.9	3	6	390	0.84
457	330	203.2	406.4	200.0	288.9	400.0	412.7	4	7	380	0.96
508	381	228.6	457.2	225.4	339.7	450.8	463.5	4	7	330	1.04
559	406	254.0	508.0	250.8	390.5	501.6	514.3	4	7	320	1.16
610	432	279.4	558.8	276.2	441.3	552.4	565.1	4	7	310	1.24
660	483	304.8	609.6	301.6	492.1	603.2	615.9	4	7	280	1.36
711	493	330.2	660.4	327.0	542.9	654.0	666.7	4	7	270	1.48

Note) The Permissible Load and Mass each indicate when used as a pair of 2 units.

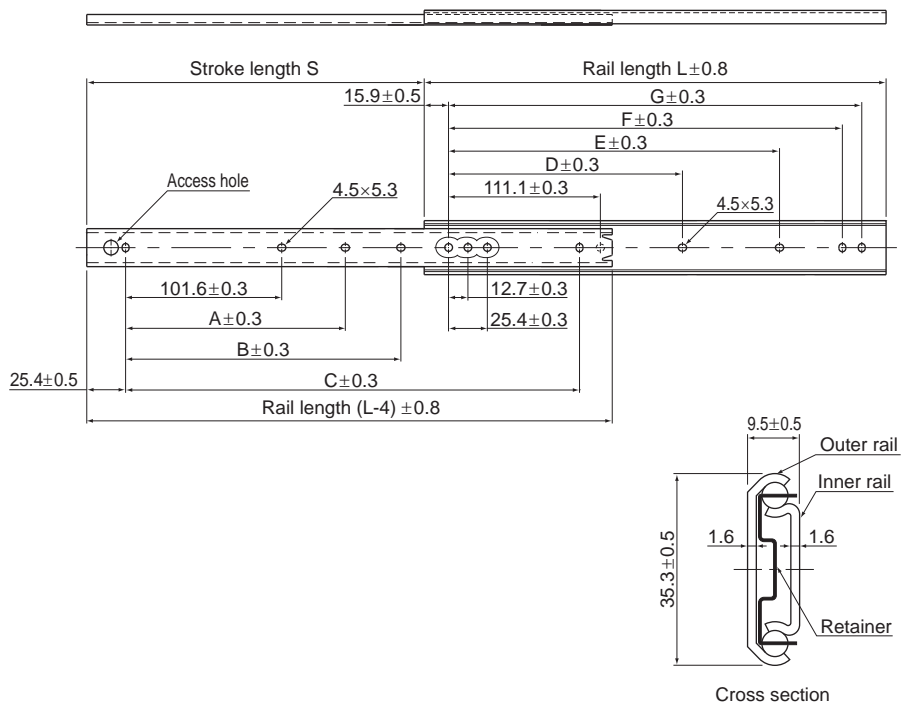
Model number coding

FBL35S-P14 +559L

Model number

Overall rail length (mm)

Model FBL 35M



Unit: mm

Rail length L (±0.8)	Stroke S	Mounting hole dimensions							Mounting hole		Permissible load N/pair	Mass kg/pair
		A	B	C	D	E	F	G	Inner rail	Outer rail		
305	229	—	152.4	254.0	—	149.2	260.3	273.0	4	7	490	0.6
356	279	—	203.2	304.8	—	200.0	311.1	323.8	4	7	400	0.7
406	305	—	254.0	355.6	—	250.8	361.9	374.6	4	7	390	0.8
457	330	203.2	304.8	406.4	212.7	301.6	412.7	425.4	5	8	380	0.9
508	381	228.6	355.6	457.2	238.1	352.4	463.5	476.2	5	8	330	1.0
559	406	254.0	406.4	508.0	263.5	403.2	514.3	527.0	5	8	320	1.1
610	432	279.4	457.2	558.8	288.9	454.0	565.1	577.8	5	8	310	1.2
660	483	304.8	508.0	609.6	314.3	504.8	615.9	628.6	5	8	280	1.3
711	508	330.2	558.8	660.4	339.7	555.6	666.7	679.4	5	8	270	1.4

Note) The Permissible Load and Mass each indicate when used as a pair of 2 units.

Model number coding

FBL35M **+406L**

Model number Overall rail length (mm)