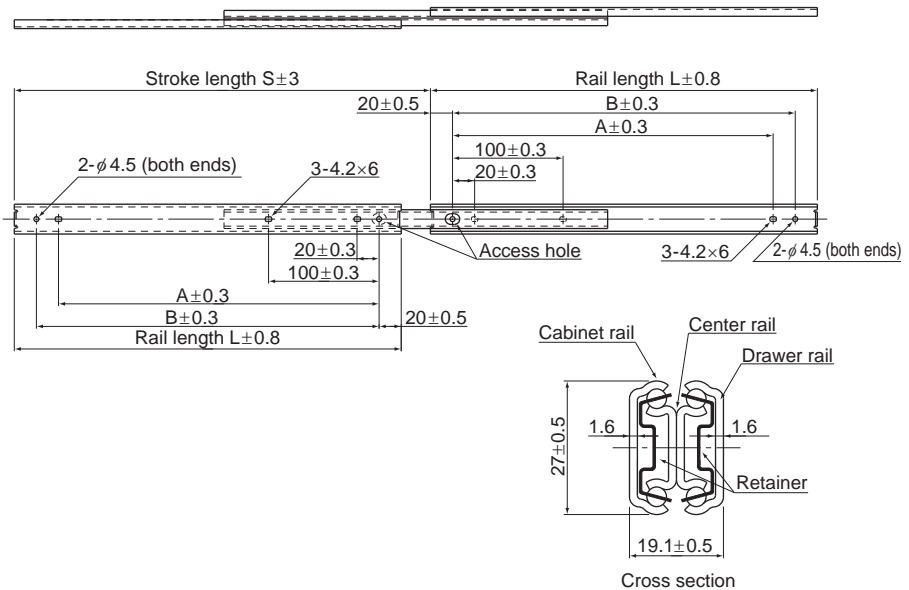


Model FBL 27D



Unit: mm

Rail length L (±0.8)	Stroke S (±3)	Mounting hole dimensions		Mounting hole		Permissible load N/pair	Mass kg/pair
		A	B	Drawer rail	Cabinet rail		
200	229	140.0	160.0	5	5	370	0.64
250	276	190.0	210.0	5	5	360	0.8
300	327	240.0	260.0	5	5	350	0.96
350	376	290.0	310.0	5	5	330	1.12
400	426	340.0	360.0	5	5	310	1.28
450	475	390.0	410.0	5	5	290	1.46
500	524	440.0	460.0	5	5	280	1.6

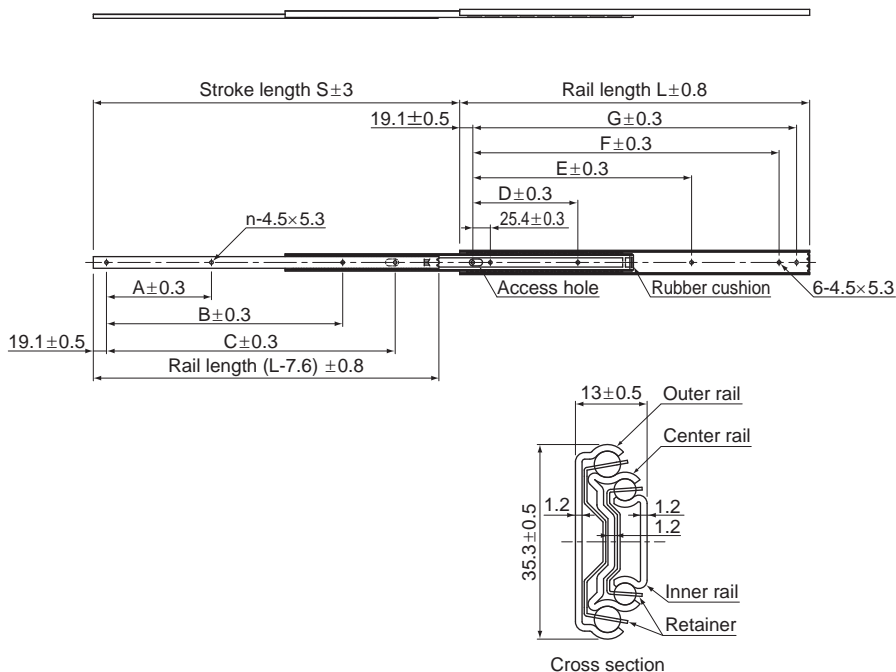
Note) The Permissible Load and Mass each indicate when used as a pair of 2 units.

Model number coding

FBL27D +200L

Model number Overall rail length (mm)

Model FBL 35N



Unit: mm

Rail length L (± 0.8)	Stroke S (± 3)	Mounting hole dimensions							Mounting hole n Inner rail	Permissible load N/pair	Mass kg/pair
		A	B	C	D	E	F	G			
254	280	76.2	154.9	180.3	76.2	139.7	190.5	215.9	4	290	0.61
305	330	76.2	154.9	231.1	76.2	190.5	241.3	266.7	4	290	0.74
356	381	127	—	266.7	88.9	215.9	292.1	317.5	3	280	0.86
406	432	152.4	—	317.5	127	241.3	342.9	368.3	3	270	0.98
457	483	177.8	—	368.3	127	292.1	393.7	419.1	3	250	1.10
508	533	152.4	342.9	419.1	152.4	317.5	444.5	469.9	4	240	1.22

Model number coding

FBL35N +508L

Model No. Overall rail length (mm)