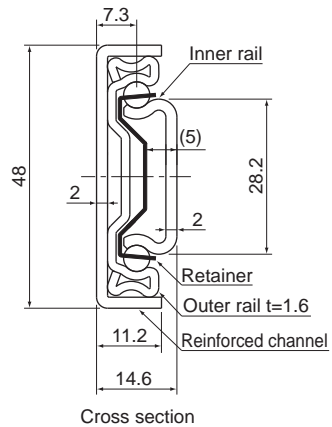
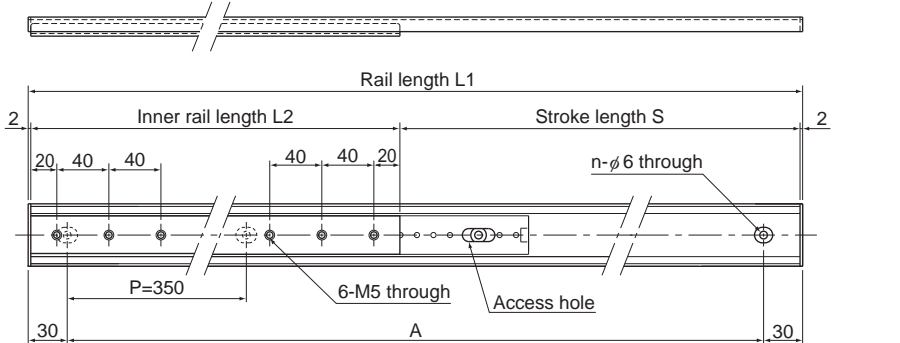


Model FBL 48DR



Unit: mm

Outer rail length L1	Inner rail length L2	Stroke length S	Mounting hole pitch A	No. of mounting holes n	Permissible load [N]	Mass [kg]
1110	496	610	P350×3	4	490	2.73
1110	696	410	P350×3	4	686	2.88
1460	496	960	P350×4	5	490	3.47
1460	696	760	P350×4	5	686	3.62
1810	696	1110	P350×5	6	686	4.36
2160	496	1660	P350×6	7	490	4.95
2160	696	1460	P350×6	7	686	5.10

Note1) Set the length of the mounting screws for the inner rail such that they do not touch the retainer.

Note2) Model FBL48DR differs from other slide rails by assuming use with a single rail. Therefore, the value is per single rail for permissible load.

Model number coding

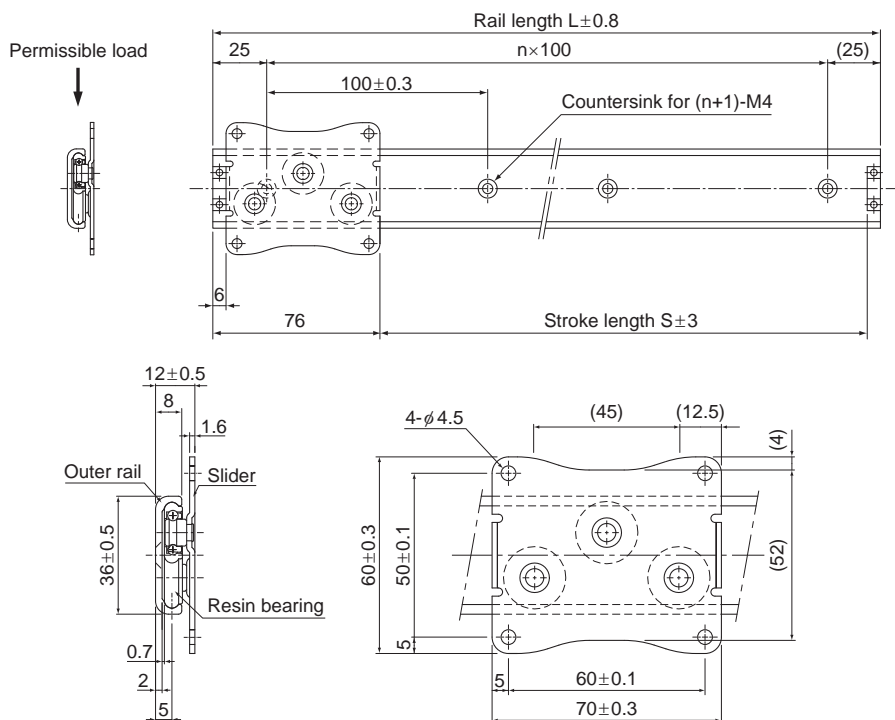
FBL48DR +1810/696L

Model number

Outer rail length
L1 (mm)

Inner rail length
L2 (mm)

Model E36RS



Unit: mm

Rail length L (± 0.8)	Stroke length S (± 3)	n	Mounting hole n+1	Permissible load ^{Note1)} N	Mass g
150	68	1	2	40	104
250	168	2	3	40	130
350	268	3	4	40	156
450	368	4	5	40	182
550	468	5	6	40	207
650	568	6	7	40	233
750	668	7	8	40	259

Note) Model E36RS differs from other slide rails by assuming use with a single rail. Therefore, the value is per single rail for permissible load.

Model number coding

E36RS +550L

Model number Overall rail length (mm)