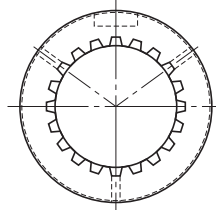


Model DP



Spline Nut Model No.	Outer dimensions			Spline nut dimensions					
	Outer diameter		L	Keyway dimensions					
	D	Tolerance h9		0	b	Tolerance N9	t	ℓ	d
DP 12	22	0 -0.052	22	4	0 -0.030	2	16	1.5	1
DP 15	22		22	4		2	16	1.5	1
DP 17	28		26	5		2.5	18	1.5	1
DP 20	32	0 -0.062	31	7	0 -0.036	2.5	22	1.5	1
DP 25	36		40	7		2.5	26	2	1
DP 30	44		45	10		4	32	2	1.5
DP 35	52	0 -0.074	49	12	0 -0.043	4.5	40	2.5	1.5
DP 40	58		57	15		5	42	3	1.5
DP 45	64		62	15		5	48	3	1.5
DP 50	68		67	15		5	52	3.5	1.5

Note) The dynamic permissible torque (T) indicates the torque at which the contact surface pressure on the spline teeth is 9.8 N/mm².
 Clearance in the rotational direction: $\alpha \leq 20'$ MAX
 If multiple spline nuts are to be mounted on a single shaft, please note that the locations of flange mounting holes and key grooves on the respective spline nuts may vary slightly.
 Avoid specifications that would require fitting multiple spline nuts to a single housing.

Model number coding

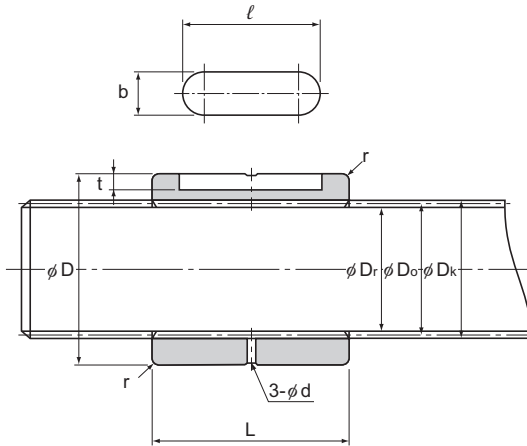
Combination of spline nut and spline shaft

2 DP20 +360L

Overall spline shaft length (in mm)

Model No. of spline nut

Number of spline nuts used on the same shaft



Unit: mm

Spline shaft	Spline details				Standard shaft length	Maximum shaft length	Dynamic permissible torque T^{Note} N·m	Mass	
	Model No.	Pitch diameter D_o	Major diameter D_s	Minor diameter D_r				Number of teeth Z	Spline Nut g
SS 12	12	12.8	10.9	16	1500	1500	19.6	40	0.9
SS 15	15	16.1	13.5	16	1500	2000	33.3	30	1.4
SS 17	17	18.2	15.4	16	1500	2000	48	65	1.7
SS 20	20	21.5	18.3	16	1500	3200	77.5	100	2.5
SS 25	25	26.9	22.6	16	1500	3200	169	135	3.8
SS 30	30	31.8	28.2	20	1500	3200	238	230	5.5
SS 35	35	37.1	32.8	20	1500	3200	362	360	7.5
SS 40	40	42.4	37.5	20	1500	3200	547	510	9.8
SS 45	45	47.7	42.1	20	1500	3200	767	640	12.4
SS 50	50	53	46.8	20	1500	3200	1020	710	15.4

Spline Nut

Model number coding

Spline shaft

SS20 +1500L

Overall spline shaft length (in mm)

Model number of spline shaft