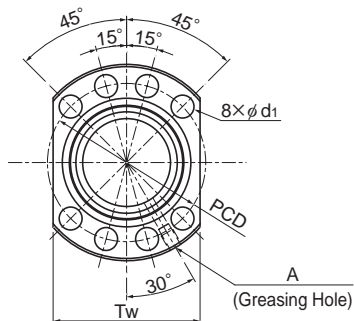


# EPB-V With Preload

DN value	130000
----------	--------



Model No.	Screw shaft outer diameter d	Lead Ph	Ball center-to-center diameter dp	Thread minor diameter dc	Loaded circuits Rows x turns	Basic load rating		Rigidity K N/μm
						Ca kN	C <sub>0a</sub> kN	
EPB 4004V-6	40	4	40.5	38.06	3×1	8.8	24.7	692
EPB 4005V-6	40	5	40.75	37.49	3×1	15.4	38.8	751
EPB 4006V-12	40	6	41	36.93	6×1	37.5	94.4	1470
EPB 4008V-8	40	8	41.25	36.36	4×1	33.8	74.5	1014
EPB 4010V-6	40	10	41.75	35.24	3×1	37.3	69.3	756
EPB 4010V-8	40	10	41.75	35.24	4×1	47.6	92.4	995
EPB 4012V-8	40	12	41.75	35.2	4×1	47.6	92.4	995
EPB 5005V-12	50	5	50.75	47.49	6×1	30.9	99.1	1764
EPB 5008V-8	50	8	51.25	46.36	4×1	37.2	93.9	1216
EPB 5010V-8	50	10	51.75	45.24	4×1	54.3	120.5	1234
EPB 6310V-4	63	10	64.75	58.2	2×1	34.5	80.1	800

Note) When the QZ Lubricator and W wiper ring are attached, the overall length of the nut dimensions will increase. Contact THK for details.

### Model number coding

**EPB4005V-6 RR G0 +650L C3**

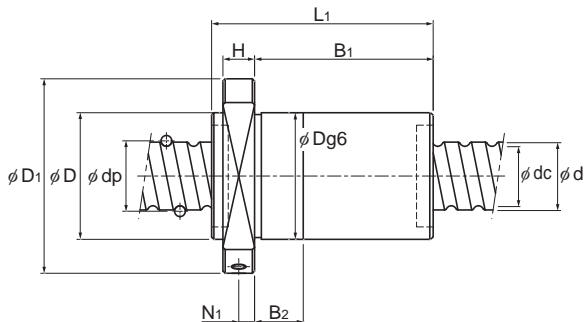
Model No.

Clearance symbol

Accuracy symbol

Ball screw shaft length (mm)

Seal symbol (RR : Labyrinth seal, WW : Wiper ring.)



Unit: mm

	Nut dimensions										Nut mass kg	Shaft mass kg/m
	Outer diameter D	Flange diameter D <sub>1</sub>	Overall length L <sub>1</sub>	H	B <sub>1</sub>	B <sub>2</sub>	PCD	d <sub>1</sub>	T <sub>w</sub>	Greasing hole A		
	63	93	59	14	45	12	78	9	70	M8		
63	93	65	14	51	12	78	9	70	M8	1.01	9.23	
63	93	117	14	103	18	78	9	70	M8	1.61	9.09	
63	93	113	14	99	18	78	9	70	M8	1.54	8.98	
63	93	105	14	91	20	78	9	70	M8	1.37	8.76	
63	93	129	14	115	20	78	9	70	M8	1.64	8.76	
63	93	152	14	138	20	78	9	70	M8	1.79	8.97	
75	110	104	16	88	18	93	11	85	M8	2.08	14.59	
75	110	115	16	99	18	93	11	85	M8	2.16	14.28	
75	110	131	16	115	18	93	11	85	M8	2.30	14.00	
90	125	89	18	71	18	108	11	95	M8	2.10	22.64	

Note) The rigidity values in the table represent spring constants each obtained from the load and the elastic deformation when providing a preload 8% of the basic dynamic load rating (Ca) and applying an axial load three times greater than the preload. These values do not include the rigidity of the components related to mounting the nut. Therefore, it is normally appropriate to regard roughly 80% of the value in the table as the actual value.

If the applied preload (Fa0) is not 0.08 Ca, the rigidity value (K<sub>N</sub>) is obtained from the following equation.

$$K_N = K \left( \frac{Fa0}{0.08Ca} \right)^{\frac{1}{3}}$$

K: Rigidity value in the dimensional table.