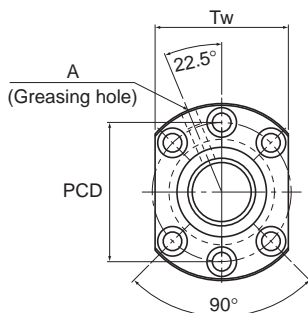
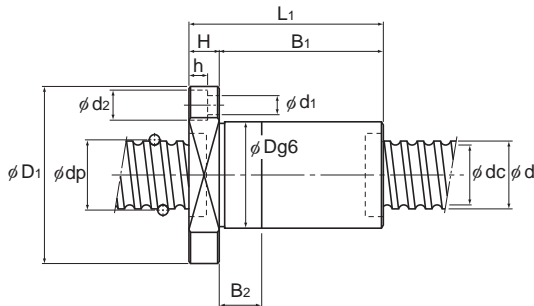


# DIK With Preload

DN value	70000
----------	-------



Model No.	Screw shaft outer diameter d	Lead Ph	Ball center-to-center diameter dp	Thread minor diameter dc	No. of loaded circuits Rows × turns	Basic load rating		Rigidity K N/μm
						Ca kN	C <sub>0a</sub> kN	
DIK 2805-6	28	5	28.75	25.2	3 × 1	10.5	26.4	560
DIK 2805-8	28	5	28.75	25.2	4 × 1	13.4	35.2	730
DIK 2806-6	28	6	29	24.4	3 × 1	14	32	530
DIK 2810-4	28	10	29.25	23.6	2 × 1	12.3	25	380
DIK 3204-6	32	4	32.5	30.1	3 × 1	6.4	19.6	580
DIK 3204-8	32	4	32.5	30.1	4 × 1	8.2	26.1	760
DIK 3204-10	32	4	32.5	30.1	5 × 1	10	32.7	940
DIK 3205-6	32	5	32.75	29.2	3 × 1	11.1	30.2	620
DIK 3205-8	32	5	32.75	29.2	4 × 1	14.2	40.3	810
DIK 3206-6	32	6	33	28.4	3 × 1	14.9	37.1	630
DIK 3206-8	32	6	33	28.4	4 × 1	19.1	49.5	820
DIK 3210-6	32	10	33.75	26.4	3 × 1	25.7	52.2	600
DIK 3212-4	32	12	33.75	26.4	2 × 1	18.8	37	430
DIK 3610-6	36	10	37.75	30.5	3 × 1	28.8	63.8	710
DIK 3610-8	36	10	37.75	30.5	4 × 1	36.8	85	940
DIK 3610-10	36	10	37.75	30.5	5 × 1	44.6	106.3	1160



Unit: mm

	Nut dimensions										Screw shaft inertial moment/mm	Nut mass kg	Shaft mass kg/m
	Outer diameter	Flange diameter	Overall length							Greasing hole			
	D	D <sub>1</sub>	L <sub>1</sub>	H	B <sub>1</sub>	B <sub>2</sub>	PCD	d <sub>1</sub> ×d <sub>2</sub> ×h	Tw	A			
	43	71	69	12	57	15	57	6.6×11×6.5	55	M6	4.74×10 <sup>-7</sup>	0.61	4.27
	43	71	79	12	67	20	57	6.6×11×6.5	55	M6	4.74×10 <sup>-7</sup>	0.68	4.27
	43	71	73	12	61	15	57	6.6×11×6.5	55	M6	4.74×10 <sup>-7</sup>	0.64	4.36
	45	71	84	15	69	20	57	6.6×11×6.5	55	M6	4.74×10 <sup>-7</sup>	0.82	4.18
	45	76	64	11	53	15	63	6.6×11×6.5	59	M6	8.08×10 <sup>-7</sup>	0.57	5.86
	45	76	72	11	61	15	63	6.6×11×6.5	59	M6	8.08×10 <sup>-7</sup>	0.62	5.86
	45	76	80	11	69	20	63	6.6×11×6.5	59	M6	8.08×10 <sup>-7</sup>	0.66	5.86
	46	76	62	12	50	10	63	6.6×11×6.5	59	M6	8.08×10 <sup>-7</sup>	0.6	5.67
	46	76	73	12	61	15	63	6.6×11×6.5	59	M6	8.08×10 <sup>-7</sup>	0.67	5.67
	48	76	73	12	61	15	63	6.6×11×6.5	59	M6	8.08×10 <sup>-7</sup>	0.74	6.31
	48	76	87	12	75	20	63	6.6×11×6.5	59	M6	8.08×10 <sup>-7</sup>	0.85	6.31
	54	87	110	15	95	25	69	9×14×8.5	66	M6	8.08×10 <sup>-7</sup>	1.57	4.98
	54	87	98	15	83	25	69	9×14×8.5	66	M6	8.08×10 <sup>-7</sup>	1.43	5.2
	58	98	122	18	104	30	77	11×17.5×11	75	M6	1.29×10 <sup>-6</sup>	2.03	6.51
	58	98	143	18	125	35	77	11×17.5×11	75	M6	1.29×10 <sup>-6</sup>	2.3	6.51
	58	98	164	18	146	45	77	11×17.5×11	75	M6	1.29×10 <sup>-6</sup>	2.57	6.51

Note) The overall length of the nut will increase when equipping the QZ lubricating device. See **A15-318** for further details.