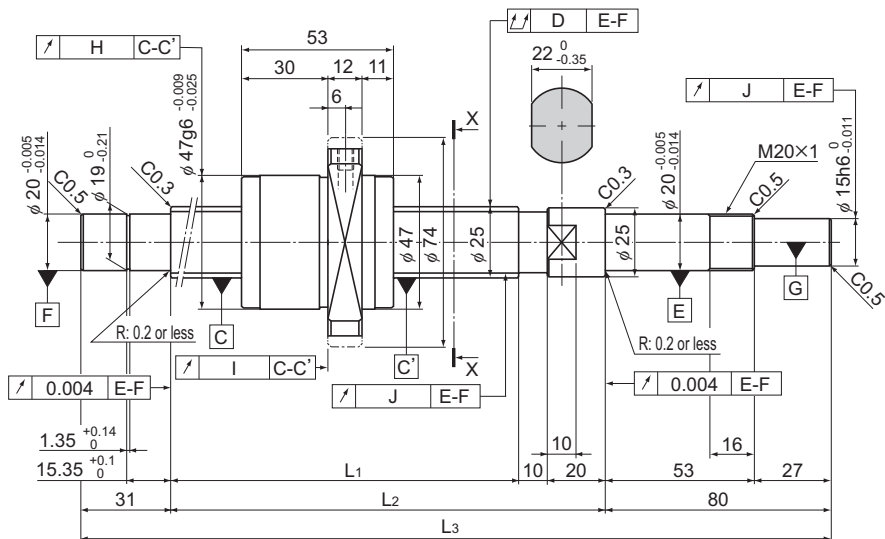


BNK2520-3.6 Shaft diameter: 25; lead: 20

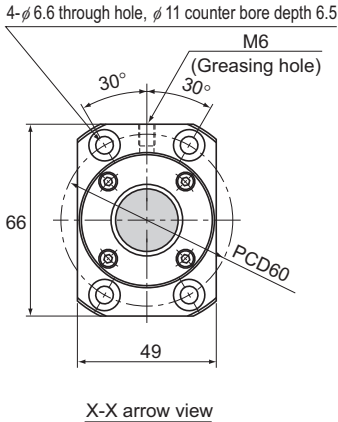
| | |
|----------|-------|
| DN value | 70000 |
|----------|-------|



| Model No. | Stroke | Screw shaft length | | |
|-------------------------|--------|--------------------|----------------|----------------|
| | | L ₁ | L ₂ | L ₃ |
| BNK 2520-3.6G0+751LC5Y | 500 | 610 | 640 | 751 |
| BNK 2520-3.6G2+751LC7Y | | | | |
| BNK 2520-3.6G0+851LC5Y | 600 | 710 | 740 | 851 |
| BNK 2520-3.6G2+851LC7Y | | | | |
| BNK 2520-3.6G0+1051LC5Y | 800 | 910 | 940 | 1051 |
| BNK 2520-3.6G2+1051LC7Y | | | | |
| BNK 2520-3.6G0+1251LC5Y | 1000 | 1110 | 1140 | 1251 |
| BNK 2520-3.6G2+1251LC7Y | | | | |
| BNK 2520-3.6G0+1451LC5Y | 1200 | 1310 | 1340 | 1451 |
| BNK 2520-3.6G2+1451LC7Y | | | | |
| BNK 2520-3.6G0+1651LC5Y | 1400 | 1510 | 1540 | 1651 |
| BNK 2520-3.6G2+1651LC7Y | | | | |
| BNK 2520-3.6G0+1851LC5Y | 1600 | 1710 | 1740 | 1851 |
| BNK 2520-3.6G2+1851LC7Y | | | | |

Note) For accuracy grade C5, clearance GT is also standardized.

Positioning Ball Screw



| Ball Screw Specifications | | | |
|--|--|---------------|--------------|
| Lead (mm) | 20 | | |
| BCD (mm) | 26 | | |
| Thread minor diameter (mm) | 21.9 | | |
| Threading direction, No. of threaded grooves | Rightward, 2 | | |
| No. of circuits | 1.8 turns \times 2 rows | | |
| Clearance symbol | G0 | GT | G2 |
| Axial clearance (mm) | 0 | 0.005 or less | 0.02 or less |
| Basic dynamic load rating C_a (kN) | 10.5 | 16.7 | 16.7 |
| Basic static load rating C_{0a} (kN) | 19 | 38 | 38 |
| Preload torque (N \cdot m) | 4.9×10^2 to 2.2×10^1 | — | — |
| Spacer ball | 1 : 1 | None | None |
| Rigidity value (N/ μ m) | 190 | 360 | |
| Circulation method | End cap | | |

Unit: mm

| | Runout of the screw shaft axis D | Runout of the nut circumference H | Flange mounting surface runout I | Runout of the thread groove surface J | Lead angle accuracy | | Nut mass kg | Shaft mass kg/m |
|--|-------------------------------------|--------------------------------------|-------------------------------------|--|--------------------------------------|-------------|----------------|--------------------|
| | | | | | Representative travel distance error | Fluctuation | | |
| | 0.055 | 0.015 | 0.011 | 0.013 | ± 0.03 | 0.023 | 0.53 | 3.03 |
| | 0.07 | 0.03 | 0.018 | 0.02 | Travel distance: $\pm 0.05/300$ | | 0.53 | 3.03 |
| | 0.065 | 0.015 | 0.011 | 0.013 | ± 0.035 | 0.025 | 0.53 | 3.03 |
| | 0.085 | 0.03 | 0.018 | 0.02 | Travel distance: $\pm 0.05/300$ | | 0.53 | 3.03 |
| | 0.085 | 0.015 | 0.011 | 0.013 | ± 0.04 | 0.027 | 0.53 | 3.03 |
| | 0.1 | 0.03 | 0.018 | 0.02 | Travel distance: $\pm 0.05/300$ | | 0.53 | 3.03 |
| | 0.11 | 0.015 | 0.011 | 0.013 | ± 0.046 | 0.03 | 0.53 | 3.03 |
| | 0.13 | 0.03 | 0.018 | 0.02 | Travel distance: $\pm 0.05/300$ | | 0.53 | 3.03 |
| | 0.11 | 0.015 | 0.011 | 0.013 | ± 0.054 | 0.035 | 0.53 | 3.03 |
| | 0.13 | 0.03 | 0.018 | 0.02 | Travel distance: $\pm 0.05/300$ | | 0.53 | 3.03 |
| | 0.14 | 0.015 | 0.011 | 0.013 | ± 0.054 | 0.035 | 0.53 | 3.03 |
| | 0.17 | 0.03 | 0.018 | 0.02 | Travel distance: $\pm 0.05/300$ | | 0.53 | 3.03 |
| | 0.14 | 0.015 | 0.011 | 0.013 | ± 0.065 | 0.04 | 0.53 | 3.03 |
| | 0.17 | 0.03 | 0.018 | 0.02 | Travel distance: $\pm 0.05/300$ | | 0.53 | 3.03 |

Ball Screw