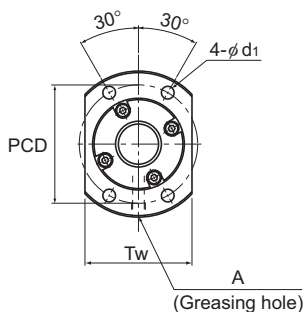


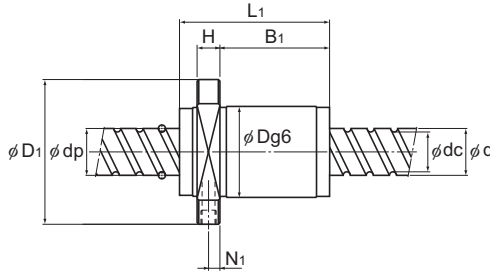
BLK (Precision Ball Screw) No Preload

DN value	7000
----------	------



Model No.	Screw shaft outer diameter d	Lead Ph	Ball center-to-center diameter dp	Thread minor diameter dc	No. of loaded circuits Rows X turns	Basic load rating		Rigidity K N/μm
						Ca kN	C _{0a} kN	
BLK 1510-5.6	15	10	15.75	12.5	2×2.8	14.3	27.8	340
BLK 1616-2.8	16	16	16.65	13.7	1×2.8	5.2	9.9	180
BLK 1616-3.6	16	16	16.65	13.7	2×1.8	7.1	14.3	220
BLK 2020-2.8	20	20	20.75	17.5	1×2.8	8.1	17.2	230
BLK 2020-3.6	20	20	20.75	17.5	2×1.8	11.1	24.7	290
BLK 2525-2.8	25	25	26	21.9	1×2.8	12.2	26.9	270
BLK 2525-3.6	25	25	26	21.9	2×1.8	16.6	38.7	350
BLK 3232-2.8	32	32	33.25	28.3	1×2.8	17.3	41.4	340
BLK 3232-3.6	32	32	33.25	28.3	2×1.8	23.7	59.5	440
BLK 3620-5.6	36	20	37.75	31.2	2×2.8	54.9	134.3	760
BLK 3624-5.6	36	24	38	30.7	2×2.8	63.8	151.9	770
BLK 3636-2.8	36	36	37.4	31.7	1×2.8	22.4	54.1	390
BLK 3636-3.6	36	36	37.4	31.7	2×1.8	30.8	78	490
BLK 4040-2.8	40	40	41.75	35.2	1×2.8	28.2	68.9	430
BLK 4040-3.6	40	40	41.75	35.2	2×1.8	38.7	99.2	550
BLK 5050-2.8	50	50	52.2	44.1	1×2.8	42.2	107.8	530
BLK 5050-3.6	50	50	52.2	44.1	2×1.8	57.8	155	670

Positioning Ball Screw



Unit: mm

	Nut dimensions										Screw shaft inertial moment/mm ³ kg·m ² /mm	Nut mass kg	Shaft mass kg/m
	Outer diameter D	Flange diameter D ₁	Overall length L ₁	H	B ₁	PCD	d _i	Tw	N ₁	Greasing hole A			
	34	57	44	10	24	45	5.5	40	5	M6	3.9×10^{-8}	0.34	0.31
	32	53	54	10	37.5	42	4.5	38	5	M6	5.05×10^{-8}	0.32	1.41
	32	53	38	10	21.5	42	4.5	38	5	M6	5.05×10^{-8}	0.21	1.41
	39	62	65	10	47.5	50	5.5	46	5	M6	1.23×10^{-7}	0.49	2.25
	39	62	45	10	27.5	50	5.5	46	5	M6	1.23×10^{-7}	0.35	2.25
	47	74	80	12	60	60	6.6	56	6	M6	3.01×10^{-7}	0.89	3.52
	47	74	55	12	35	60	6.6	56	6	M6	3.01×10^{-7}	0.64	3.52
	58	92	102	15	77	74	9	68	7.5	M6	8.08×10^{-7}	1.78	5.83
	58	92	70	15	45	74	9	68	7.5	M6	8.08×10^{-7}	1.32	5.83
	70	110	78	17	45	90	11	80	8.5	M6	1.29×10^{-6}	2.23	6.49
	75	115	94	18	59	94	11	86	9	M6	1.29×10^{-6}	3.05	6.39
	66	106	113	17	86	85	11	76	8.5	M6	1.29×10^{-6}	2.61	7.34
	66	106	77	17	50	85	11	76	8.5	M6	1.29×10^{-6}	1.93	7.34
	73	114	125	17	96.5	93	11	84	8.5	M6	1.97×10^{-6}	3.4	9.01
	73	114	85	17	56.5	93	11	84	8.5	M6	1.97×10^{-6}	2.48	9.01
	90	135	156	20	122	112	14	104	10	M6	4.82×10^{-6}	6.18	14.08
	90	135	106	20	72	112	14	104	10	M6	4.82×10^{-6}	4.45	14.08

Note) The Model BLK can be equipped with a brush seal depending on the model number. Contact THK if you would like to use one.

The overall length of the nut will increase when equipping the QZ lubricating device. See **A15-318** for further details.