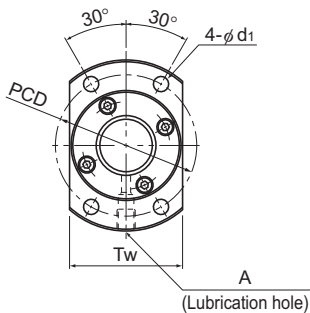
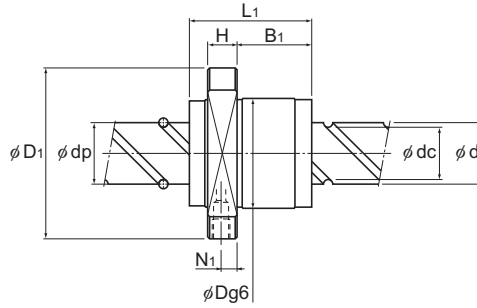


WGF No Preload

DN value	70,000
----------	--------



Model No.	Screw shaft outer diameter d	Lead Ph	Ball center-to-center diameter dp	Thread minor diameter dc	No. of loaded circuits Rows × turns	Basic load rating		Rigidity K N/μm
						Ca kN	C _{0a} kN	
WGF 0812-3	8	12	8.4	6.6	2×1.65	2.2	3.9	110
WGF 1015-3	10	15	10.5	8.3	2×1.65	3.3	6.2	140
WGF 1320-3	13	20	13.5	10.8	2×1.65	4.7	9.6	180
WGF 1520-1.5	15	20	15.75	12.5	1×1.5	4.4	7.9	100
WGF 1520-3	15	20	15.75	12.5	2×1.5	8.1	15.8	190
WGF 1530-1	15	30	15.75	12.5	2×0.6	3.5	5.4	90
WGF 1530-3	15	30	15.75	12.5	2×1.6	8.1	14.6	220
WGF 1540-1.5	15	40	15.75	12.5	2×0.75	3.9	7.4	110
WGF 2040-1	20	40	20.75	17.5	2×0.65	4.3	8	110
WGF 2040-3	20	40	20.75	17.5	2×1.65	9.5	20.2	280
WGF 2060-1.5	20	60	20.75	17.5	2×0.75	4.5	11	140
WGF 2550-1	25	50	26	21.9	2×0.65	6.4	12.5	140
WGF 2550-3	25	50	26	21.9	2×1.65	14.3	31.7	340
WGF 3060-1	30	60	31.25	26.4	2×0.65	8.9	18	170
WGF 3060-3	30	60	31.25	26.4	2×1.65	19.9	45.7	410
WGF 3090-1.5	30	90	31.25	26.4	2×0.75	9.8	25.8	200
WGF 4080-1	40	80	41.75	35.2	2×0.65	15	32.1	220
WGF 4080-3	40	80	41.75	35.2	2×1.65	33.4	81.4	530
WGF 50100-1	50	100	52.2	44.1	2×0.65	22.4	50.1	270
WGF 50100-3	50	100	52.2	44.1	2×1.65	49.9	127.2	650



Unit: mm

	Nut dimensions										Screw shaft inertial moment/mm kg·m ² /mm	Nut mass kg	Shaft mass kg/m	Permissible rotational speed min ⁻¹
	Outer diameter	Flange diameter	Overall length	H	B ₁	PCD	d _i	Tw	N ₁	Lubrication hole				
	D	D ₁	L ₁							A				
18	31	27	4	17	25	3.4	20	—	—	3.16 × 10 ⁻⁹	0.054	0.35	3,500	
23	40	33	5	22	32	4.5	25	—	—	7.71 × 10 ⁻⁹	0.11	0.55	3,500	
28	45	43	5	29	37	4.5	30	—	—	2.2 × 10 ⁻⁸	0.18	0.96	3,500	
32	53	45	10	28	43	5.5	33	5	M6	3.9 × 10 ⁻⁸	0.29	1.22	4,440	
32	53	45	10	28	43	5.5	33	5	M6	3.9 × 10 ⁻⁸	0.29	1.22	4,440	
32	53	33	10	17	43	5.5	33	5	M6	3.9 × 10 ⁻⁸	0.23	1.26	4,440	
32	53	63	10	47	43	5.5	33	5	M6	3.9 × 10 ⁻⁸	0.38	1.26	4,440	
32	53	42	10	26.3	43	5.5	33	5	M6	3.9 × 10 ⁻⁸	0.28	1.28	4,440	
37	57	41	10	25	47	5.5	38	5.5	M6	1.23 × 10 ⁻⁷	0.24	2.34	3,370	
37	57	81	10	65	47	5.5	38	5.5	M6	1.23 × 10 ⁻⁷	0.48	2.34	3,370	
37	57	60	10	40.1	47	5.5	38	5.5	M6	1.23 × 10 ⁻⁷	0.4	2.37	3,370	
45	69	52	12	31.5	57	6.6	46	7	M6	3.01 × 10 ⁻⁷	0.43	3.66	2,690	
45	69	102	12	81.5	57	6.6	46	7	M6	3.01 × 10 ⁻⁷	0.85	3.66	2,690	
55	89	62	15	37	71	9	56	9	M6	6.24 × 10 ⁻⁷	1.11	5.28	2,240	
55	89	122	15	97	71	9	56	9	M6	6.24 × 10 ⁻⁷	1.9	5.28	2,240	
55	89	92	15	61.3	71	9	56	9	M6	6.24 × 10 ⁻⁷	1.51	5.34	2,240	
73	114	79	17	50.5	93	11	74	9	M6	1.97 × 10 ⁻⁶	2.34	9.38	1,670	
73	114	159	17	130.5	93	11	74	9	M6	1.97 × 10 ⁻⁶	4.18	9.38	1,670	
90	135	98	20	64	112	14	92	10	M6	4.82 × 10 ⁻⁶	4.18	14.66	1,340	
90	135	198	20	164	112	14	92	10	M6	4.82 × 10 ⁻⁶	7.63	14.66	1,340	

Notes: The Model WGF can be equipped with a brush seal depending on the model number. Contact THK if you would like to use one.

The overall length of the nut will increase when equipping the QZ Lubricator. See **A15-364** for further details.