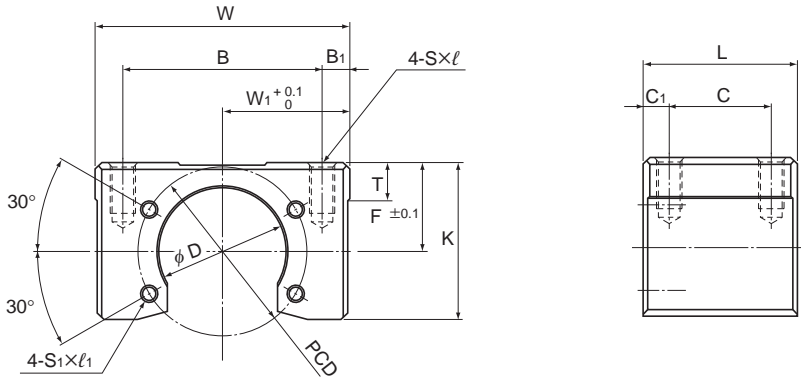


## Nut Bracket



Unit: mm

Model No.	Width W	W <sub>1</sub>	B	B <sub>1</sub>	Overall length L	C	C <sub>1</sub>	F	K
MC 1004	48	24	40	4	32	16	10	20	32.5
MC 1205	60	30	47	6.5	36	24	6	21	37
MC 1408	60	30	50	5	36	20	10	21.5	37
MC 2010	86	43	70	8	50	30	10	31	54
MC 2020	86	43	70	8	40	24	8	28	51

Model No.	T	D	PCD	S × l	S <sub>1</sub> × l <sub>1</sub>	Mass kg
MC 1004	9	26.4	36	M5 × 10	M4 × 7	0.24
MC 1205	9	30.4	40	M6 × 12	M4 × 7	0.38
MC 1408	9	34.4	45	M6 × 12	M5 × 7	0.34
MC 2010	16	46.4	59	M10 × 20	M6 × 10	1.04
MC 2020	16	39.4	59	M10 × 20	M6 × 10	0.83

Model No.	For factory automation equipment Supported Ball Screw models
MC 1004	BNK1004, BNK1010
MC 1205	BNK1205
MC 1408	BNK1408, BNK1510, BNK1520, BNK1616
MC 2010	BNK2010
MC 2020	BNK2020