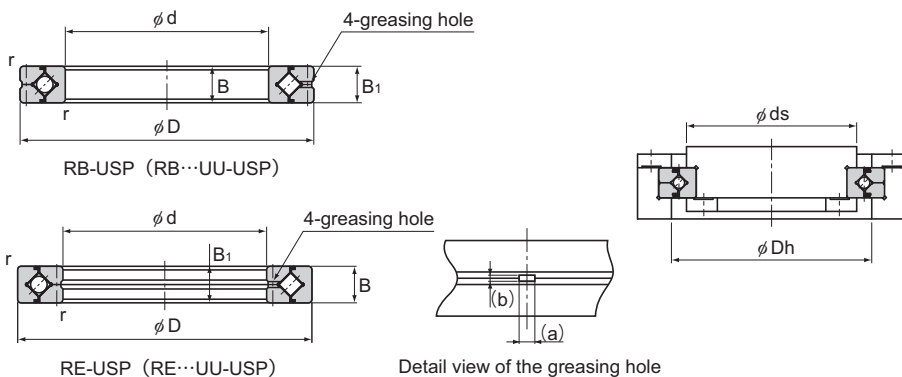


USP-Grade Models RB and RE



Unit: mm

Model No.	Main dimensions							Shoulder height		Basic load rating (radial)		Mass	
	Inner diameter d	Outer diameter D	Roller pitch circle diameter ϕd_p		Width B, B_1	Greasing hole		r_{min}	d_s (max)	D_h (min)	C kN		C_0 kN
			RB	RE		a	b						
RB 10020USP RE 10020USP	100	150	123	127	20	3.5	1.6	1	113	133	33.1	50.9	1.45
RB 12025USP RE 12025USP	120	180	148.7	152	25	3.5	2	1.5	133	164	66.9	100	2.62
RB 15025USP RE 15025USP	150	210	178	182	25				164	194	76.8	128	3.16
RB 20030USP RE 20030USP	200	280	240	240	30	4.5	3	2	221	258	114	200	6.7
RB 25030USP RE 25030USP	250	330	287.5	287.5	30				269	306	126	244	8.1
RB 30035USP RE 30035USP	300	395	345	345	35	5	3	2.5	322	368	183	367	13.4
RB 40040USP RE 40040USP	400	510	453.4	453.4	40				428	479	241	531	23.5
RB 50040USP RE 50040USP	500	600	548.8	548.8	40	6	3	2.5	526	572	239	607	26
RB 60040USP RE 60040USP	600	700	650	650	40				627	673	264	721	29

Note1) The model number of a type with seals attached is RB...UU-USP or RE...UU-USP.

If a certain level of rotational accuracy is required for the inner ring, select model RB; if a certain level of rotational accuracy is required for the outer ring, select model RE.

Note2) (a) and (b) dimensions of the greasing hole in the detailed diagram are reference values.

Model number coding

RB50040 UU CC0 USP

Model number

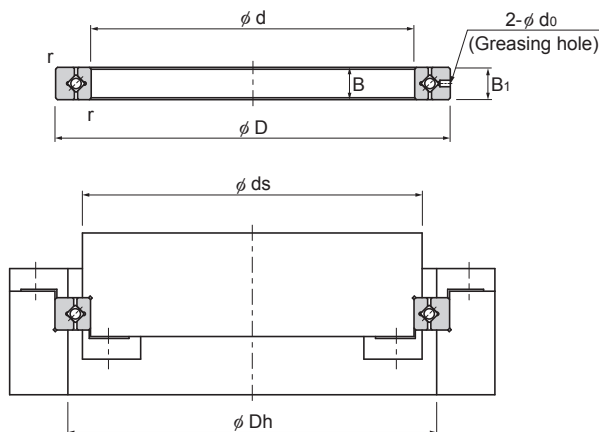
Accuracy symbol (Ultra precision grade)

Radial clearance symbol (*1)

Seal attached on both ends (seal attached on either end: U)

(*1) See **A18-18**.

Model RAU (Small-Diameter, 5 mm Thin Type)



Unit: mm

Shaft diameter	Model No.	Main dimensions						Shoulder height		Basic load rating (radial)		Mass
		Inner diameter d	Outer diameter D	Roller pitch circle diameter dp	Width B B ₁	Greasing hole d ₀	r _{min}	ds (max)	Dh (min)	C kN	C ₀ kN	
10	RAU 1005	10	21	14.7	5	1	0.15	12.5	17	1.12	0.809	9
15	RAU 1505	15	26	19.7	5	1	0.15	17.5	22	1.32	1.10	12
20	RAU 2005	20	31	24.7	5	1	0.15	22.5	27	1.49	1.40	15
30	RAU 3005	30	41	34.7	5	1	0.15	32.5	37	1.89	2.14	21
40	RAU 4005	40	51	44.7	5	1	0.15	42.5	47	2.14	2.74	27
50	RAU 5005	50	61	54.7	5	1	0.15	52.5	57	2.43	3.49	32
60	RAU 6005	60	71	64.7	5	1	0.15	62.5	67	2.63	4.09	38
70	RAU 7005	70	81	74.7	5	1	0.15	72.5	77	2.81	4.68	44
80	RAU 8005	80	91	84.7	5	1	0.15	82.5	87	3.05	5.43	50
90	RAU 9005	90	101	94.7	5	1	0.15	92.5	97	3.19	6.03	56
100	RAU 10005	100	111	104.7	5	1	0.15	102.5	107	3.37	6.63	61

Model number coding

RAU5005 C0 P4 B

Model number | Accuracy symbol (*2) | Radial clearance symbol (*1) | Component accuracy symbol

(*1)See **A18-18**. (*2)See **A18-14**.

Note) Precautions for the Model RAU (Small-Diameter, 5 mm Thin Type)

* Seals are not supported. * Only available with C0 radial clearance. * Only available with normal grade accuracy (0).