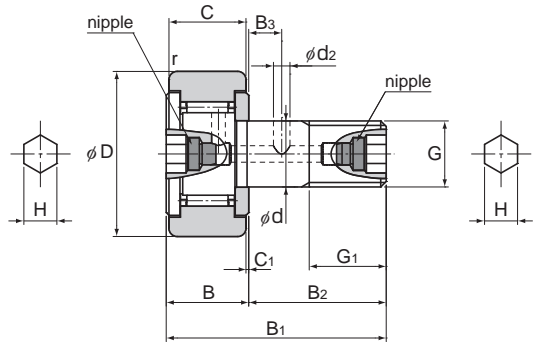


# Model CF-AB Cam Follower with Grease Nipple

Optional specifications		Symbol
Roller guide	With cage	No Symbol
	Full rollers	V
Material	Carbon steel	No Symbol
	Stainless steel	M
Seal	Without seal	No Symbol
	With seal	UU
Outer ring shape	Cylindrical outer ring	No Symbol
	Spherical outer ring	R



Stud diameter	Model No.	Main dimensions												
		Outer diameter	Outer ring width	Threaded			Overall length						Shoulder height f (Min.)	
d		D	C	G	G <sub>1</sub>	B	B <sub>1</sub>	B <sub>2</sub>	B <sub>3</sub>	C <sub>1</sub>	d <sub>2</sub>	H	r <sub>min</sub>	
12	CF 12-AB	30	14	M12×1.5	13	15	40	25	6	0.6	3	6	0.6	20
12	CF 12-1-AB	32	14	M12×1.5	13	15	40	25	6	0.6	3	6	0.6	20
16	CF 16-AB	35	18	M16×1.5	17	19.5	52	32.5	8	0.8	3	6	0.6	24
18	CF 18-AB	40	20	M18×1.5	19	21.5	58	36.5	8	0.8	3	6	1	26
20	CF 20-AB	52	24	M20×1.5	21	25.5	66	40.5	9	0.8	4	8	1	36
20	CF 20-1-AB	47	24	M20×1.5	21	25.5	66	40.5	9	0.8	4	8	1	36
24	CF 24-AB	62	29	M24×1.5	25	30.5	80	49.5	11	0.8	4	8	1	40
24	CF 24-1-AB	72	29	M24×1.5	25	30.5	80	49.5	11	0.8	4	8	1	40
30	CF 30-AB	80	35	M30×1.5	32	37	100	63	15	1	4	8	1	46
30	CF 30-1-AB	85	35	M30×1.5	32	37	100	63	15	1	4	8	1	46
30	CF 30-2-AB	90	35	M30×1.5	32	37	100	63	15	1	4	8	1	46

Note) For information on accuracy standards, please refer to **A19-14**.

## Model number coding

**CF12 V M UU R -AB**

Model No.

Stud With Hexagonal Socket At Both Ends

No symbol: With cage

No Symbol : Cylindrical outer ring

V : Full-roller Type

R : Spherical outer ring

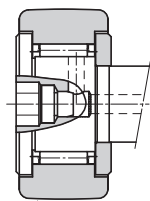
No symbol: Carbon steel

No symbol: Without seal

M : Stainless steel

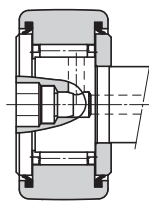
UU : With seal

Note) For accessories, see **A19-38**.



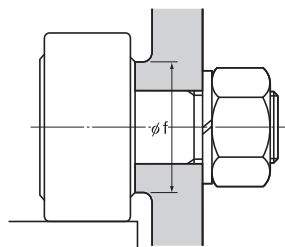
R500 (CF12 to CF18)  
R1000 (CF20 or higher)

Model CF-R-AB



R500 (CF12 to CF18)  
R1000 (CF20 or higher)

Model CF-UUR-AB



Unit: mm

	Basic Load Rating				Maximum permissible load $F_0$ kN	Track Load Capacity		Rotational speed limit *		Mass	
	With cage		Full rollers			Cylindrical outer ring kN	Spherical outer ring kN	With cage $\text{min}^{-1}$	Full rollers $\text{min}^{-1}$	With cage g	Full rollers g
	C kN	$C_0$ kN	C kN	$C_0$ kN							
	7.87	9.79	13.4	19.8	9.37	7.06	2.45	14000	5800	105	107
	7.87	9.79	13.4	19.8	9.37	7.45	2.74	14000	5800	115	117
	12	18.3	20.6	37.6	17.3	11.2	3.14	10000	4500	205	207
	14.7	25.2	25.2	51.3	26.1	14.4	3.72	8500	3800	295	300
	20.7	34.8	33.2	64.8	32.1	23.2	8.23	7000	3400	525	530
	20.7	34.8	33.2	64.8	32.1	21	7.15	7000	3400	450	455
	30.6	53.2	46.7	92.9	49.5	34.2	10.5	6500	2900	915	925
	30.6	53.2	46.7	92.9	49.5	39.8	12.9	6500	2900	1150	1160
	45.4	87.6	67.6	145	73.7	52.6	14.9	5000	2300	1880	1890
	45.4	87.6	67.6	145	73.7	56	16.1	5000	2300	1950	1960
	45.4	87.6	67.6	145	73.7	59.3	17.3	5000	2300	2000	2010

Note) The rotation speed limit value in the table (\*) applies to models that have no seal and use grease lubrication. With those models using oil lubrication, up to 130% of this value is permitted. With those attached with seals, up to 70% of this value is permitted.