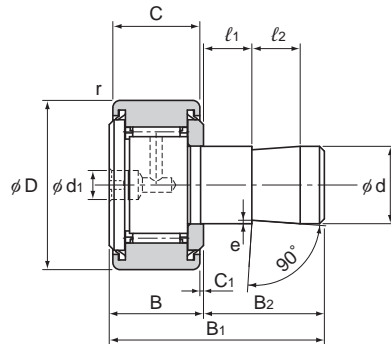


Easy-mount Cam Follower Model CF-SFU

Optional specifications		Symbol
Roller guide	With cage	No Symbol
Material	Carbon steel	No Symbol
Seal	With seal	No Symbol
Outer ring shape	Cylindrical outer ring	No Symbol
	Spherical outer ring	R



Stud diameter	Model No.	Main dimensions											
		Outer diameter	Outer ring width		Overall length								
d		D	C	B	B ₁	B ₂	C ₁	l ₁	l ₂	d ₁	r _{smn}	e	
6	CF-SFU-6	16	11	12	32	20	0.6	5	10	4	0.3	0.3	
8	CF-SFU-8	19	11	12	32	20	0.6	5	10	4	0.3	0.5	
10	CF-SFU-10	22	12	13	33	20	0.6	5	10	4	0.3	0.5	
10	CF-SFU-10-1	26	12	13	33	20	0.6	5	10	4	0.3	0.5	
12	CF-SFU-12	30	14	15	35	20	0.6	5	10	6	0.6	1	
12	CF-SFU-12-1	32	14	15	35	20	0.6	5	10	6	0.6	1	
16	CF-SFU-16	35	18	19.5	44.5	25	0.8	10	10	6	0.6	1	
18	CF-SFU-18	40	20	21.5	46.5	25	0.8	10	10	6	1	1	
20	CF-SFU-20	52	24	25.5	50.5	25	0.8	10	10	8	1	1	
20	CF-SFU-20-1	47	24	25.5	50.5	25	0.8	10	10	8	1	1	

Note) For information on accuracy standards, please refer to **A19-14**.

Model number coding

CF-SFU-6 R -N

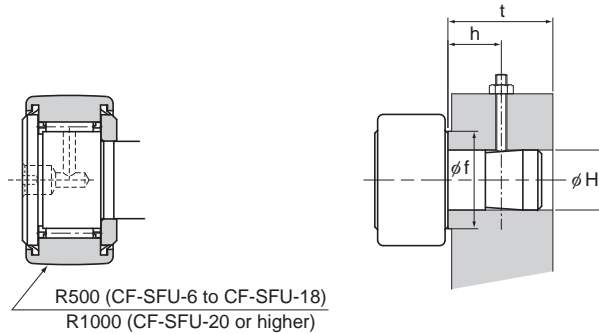
Model No.

No Symbol : Cylindrical outer ring
R : Spherical outer ring

No Symbol : No grease nipple

N : Dedicated grease nipple included (See **A19-39**)

Note) Model CF-SFU is fitted with UU seals even where no UU symbol is used.



Model CF-SFU...R

Unit: mm

	Mounting dimensions				Basic load rating		Maximum permissible load F_0 kN	Track load capacity		Rotational speed limit *	Mass
	Mounting dimension H Tolerance H7	t (Min.)	Shoulder height f (Min.)	h (reference value)	With cage			Cylindrical outer ring kN	Spherical outer ring kN	With cage min^{-1}	With cage g
					C kN	C_0 kN					
	6	20	11	10	3.59	3.58	2.11	3.43	1.08	17500	19
	8	20	13	10	4.17	4.65	4.73	4.02	1.37	14000	28.5
	10	20	15	10	5.33	6.78	5.81	4.7	1.67	11900	43
	10	20	15	10	5.33	6.78	5.81	5.49	2.06	11900	58.5
	12	20	20	10	7.87	9.79	9.37	7.06	2.45	9800	93
	12	20	20	10	7.87	9.79	9.37	7.45	2.74	9800	103
	16	25	24	15	12	18.3	17.3	11.2	3.14	7000	163.5
	18	25	26	15	14.7	25.2	26.1	14.4	3.72	5950	235
	20	25	36	15	20.7	34.8	32.1	23.2	8.23	4900	436
	20	25	36	15	20.7	34.8	32.1	21	7.15	4900	361

Note) *The rotational speed limit applies to models with grease lubrication and seals.
Model CF-SFU is delivered with a stopper plug fitted.