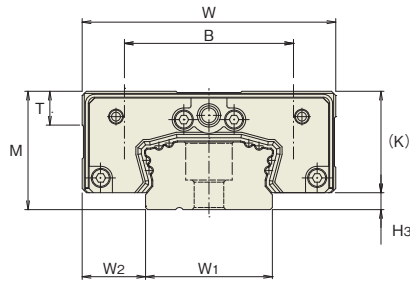
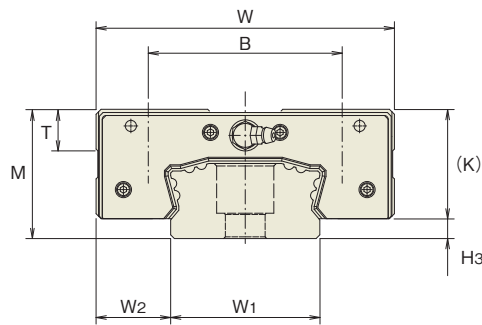


Model SPS-LR



Models SPS15,20



Models SPS25 to 45

Model No.	Outer dimensions			LM block dimensions													
	Height	Width	Length	t	Mounting hole				L ₁	T	K	N	f _o	E	e _o	D _o	Grease nipple
	M	W	L		B	C'	C	S × l									
SPS15LR	25	50	121.5	0.8	34	—	70	M5×8	106.5	7	21	5.5	—	3.3	—	—	PB107
SPS20LR	28	60	150.5	1.2	40	—	90	M6×10	131.5	8	24	5.7	—	3	—	—	PB107
SPS25LR	31	72	180.1	—	47	40	120	M8×10.5	158.1	10	26.5	6.3	9.2	12	4.5	3.9	B-M6F
SPS30LR	38	90	207.8	—	58	45	135	M10×14	182.6	12	33	8.0	10.9	12	4.5	3.9	B-M6F
SPS35LR	44	100	235.5	—	66	50	150	M12×16	208.3	14	38	9.5	12.4	12	6	5.2	B-M6F
SPS45LR	52	120	288.5	—	78	65	195	M14×18.5	256.5	16	44	10.5	12.3	16	6	5.2	B-PT1/8

Model number coding

SPS25 **LR** **2** **QZ** **UU** **C0** **+1000L** **UP** **-II**

Model number

With QZ Lubricator

Contamination protection accessory symbol (see page 16)

LM rail length (in mm)

No. of LM blocks used on the same rail

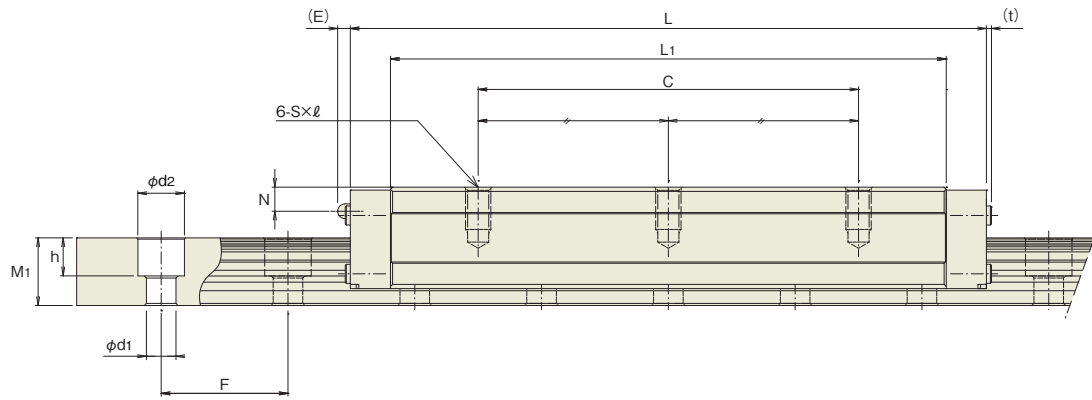
Radial clearance symbol (see page 7)

Symbol for No. of rails used on the same plane

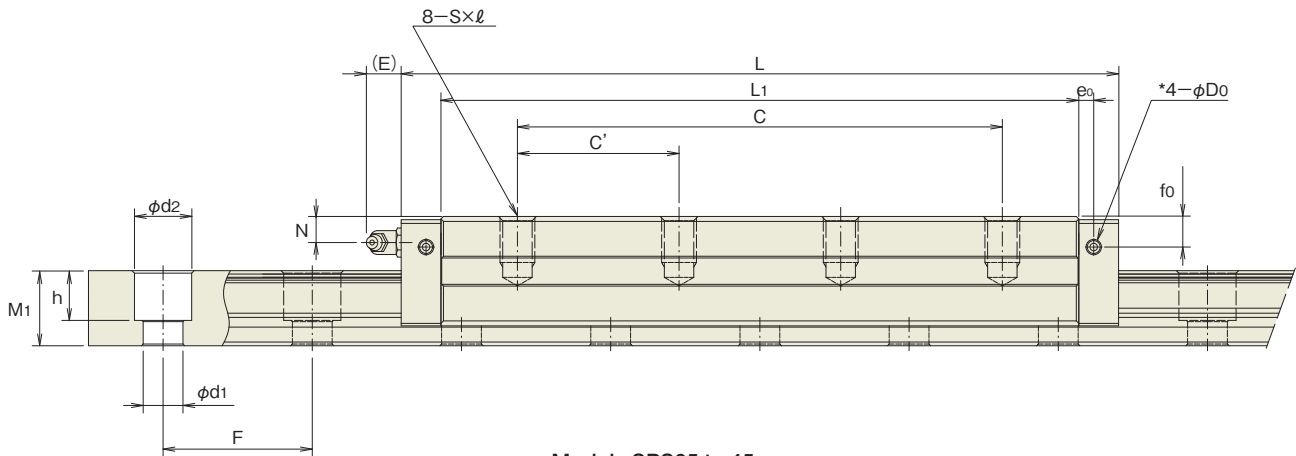
Type of LM block

Accuracy symbol (see page 6)

Note) This model number consists of a set of LM blocks and LM rails. (Two sets are required when using two rails in parallel.)
 Those models equipped with QZ Lubricator cannot have a grease nipple. When desiring a grease nipple for a model attached with QZ, contact THK.



Models SPS15,20



Models SPS25 to 45

Unit: mm

H ₃	LM rail dimensions						Basic load rating		Static permissible moment [kN-m] ^{*2}					Mass	
	Width	Height	Pitch	Mounting hole	Length	C	C ₀	M _A		M _B		M _C	LM block	LM rail	
	W ₁ 0 -0.05	W ₂	M ₁	F	d ₁ ×d ₂ ×h	Max ^{*1}	[kN]	[kN]	1 block	Double blocks	1 block	Double blocks	1 block	[kg]	[kg/m]
4	25	12.5	14	30	6×9.5×8.5	3000	15.9	41.2	0.728	3.26	0.728	3.26	0.389	0.6	2.5
4	30	15	16	30	7×11×9	3000	26	65.3	1.4	9.08	1.4	9.08	0.72	1.0	3.4
4.5	35	18.5	18.2	40	9×14×12	3000	42.4	110	2.91	13.1	2.91	13.1	1.38	1.5	4.1
5	45	22.5	21.4	52.5	11×17.5×14	3090	58.8	150	4.59	20.6	4.59	20.6	2.44	2.7	6.9
6	50	25	25	52.5	14×20×17	3090	78.2	196	6.83	30.4	6.83	30.4	3.52	4.0	9.0
8	60	30	30.2	60	16×23×20	3060	126	307	13.2	58.2	13.2	58.2	6.46	7.0	11.6

*1 The maximum length under "Length" indicates the standard maximum length of an LM rail.

*2 Static permissible moment: 1 block: static permissible moment value with 1 LM block

Double blocks: static permissible moment value with 2 blocks closely contacting with each other

*3 For Model SPR/SPS, balls will fall out of the LM block if it is removed from the LM rail. Please take precautions to prevent the blocks from overrunning the rail.

Note 1) These are pilot holes for when desiring a grease nipple for a model attached with LaCS or QZ Lubricator.

The pilot holes are not drilled through in order to prevent foreign material from entering the LM block.

When desiring a grease nipple mounting, contact THK.

Note 2) Lubrication

For Model SPR/SPS, Lithium soap group grease No. 2 (AFB-LF grease) is contained as standard.

When desiring another grease or model without grease contained, contact THK.

When desiring lubrication or automatic greasing, be sure to contact THK.