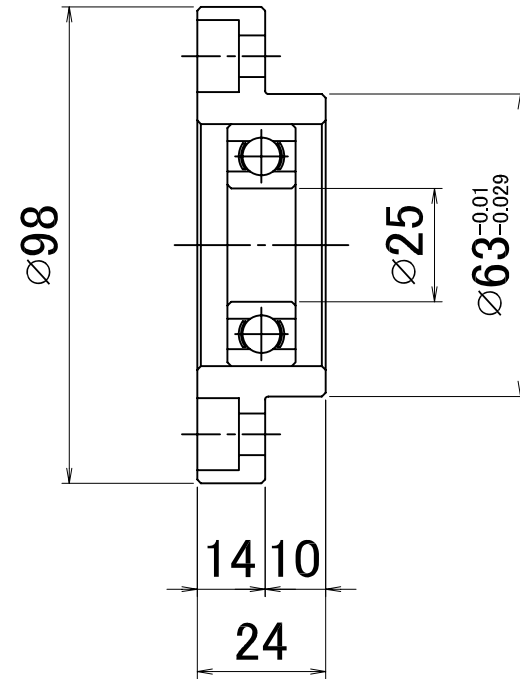
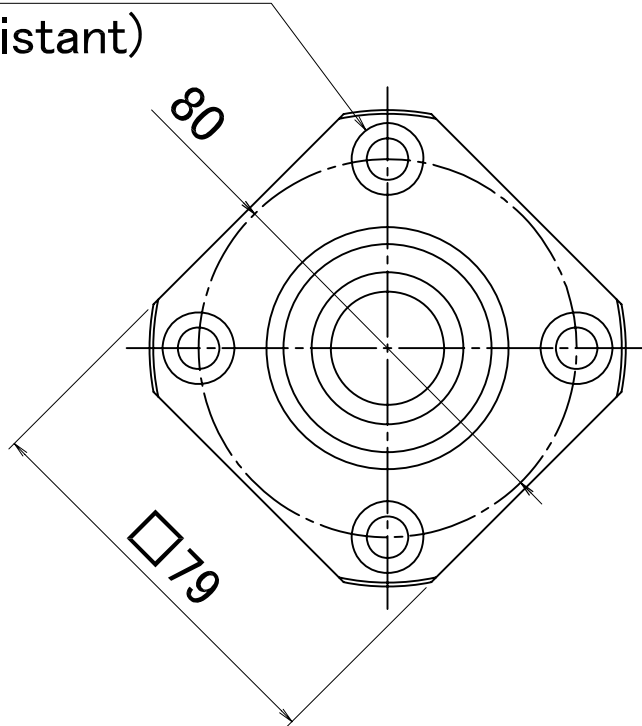


4- $\varnothing 9$ drilled through
 $\varnothing 14$ counter bore depth 8.5
(90° equidistant)



FF25