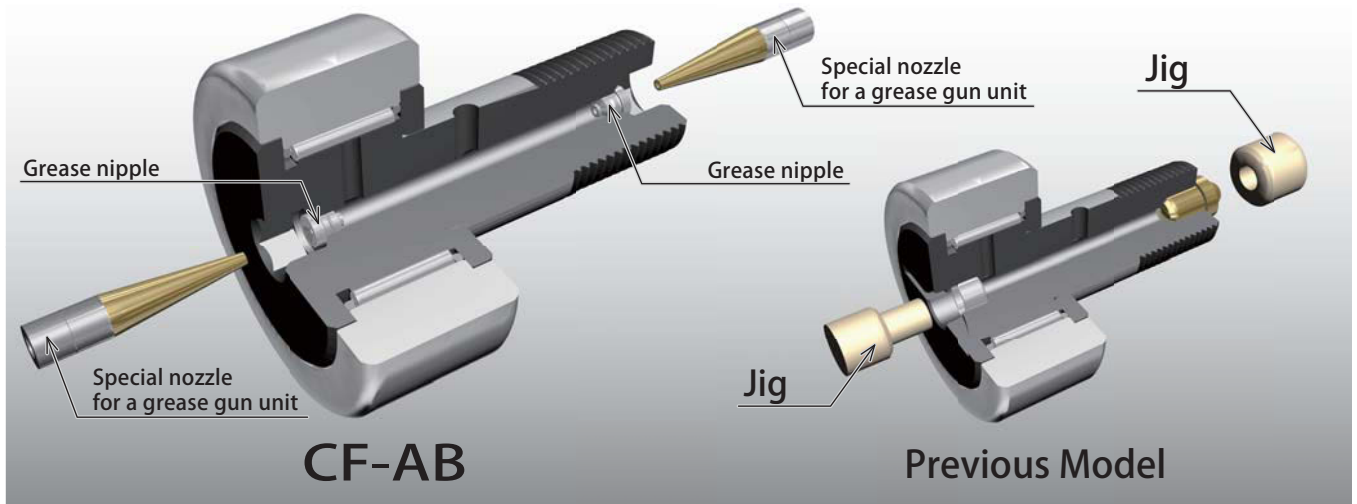


Cam Follower with Grease Nipple

CF-AB

Grease Nipples Attached in Hexagonal Sockets at Both the Stud Head and Thread Ends



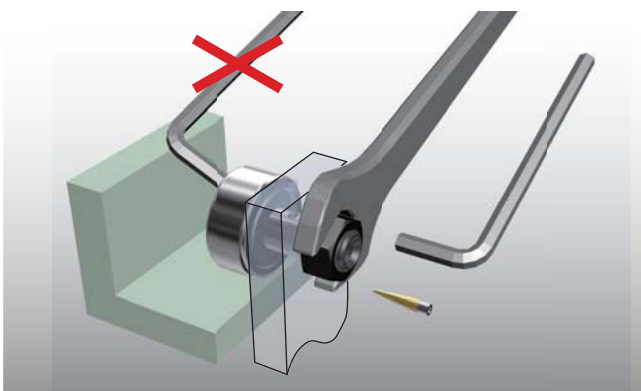
- **Reduced Assembly Times**

The previous model required the creation of jigs and the installation of filler plugs and grease nipples. On the CF-AB, grease nipples are affixed to both sides, so it can be used right out of the box.

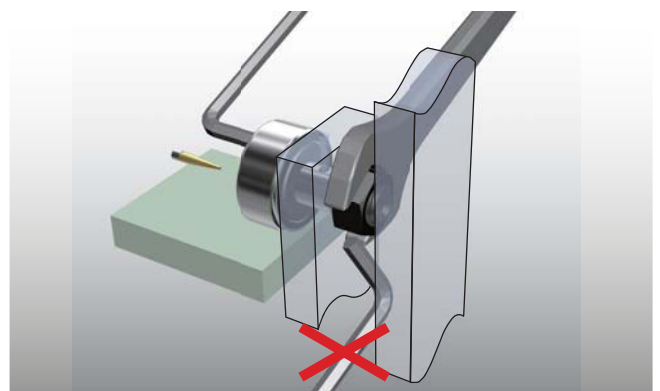
- **Easy Attachment and Maintenance**

A hex wrench can be used to fix either the head end of the stand or the thread end, and greasing is possible from either end. The unit can be installed and maintained without concern for installation space, thereby boosting operating efficiency.

In Case of Interference at the Stud Head Side



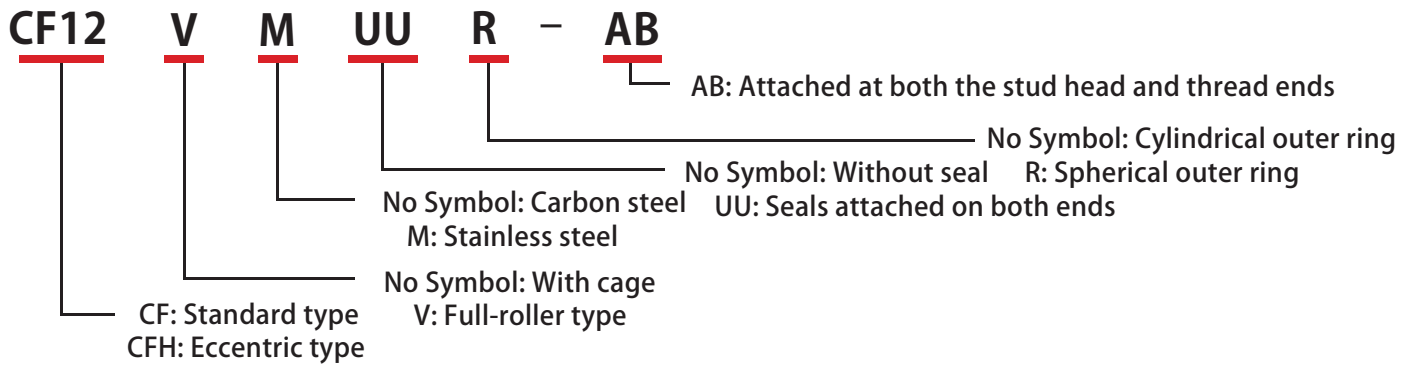
In Case of Interference at the Stud Thread Side



- **Parts Can Be Consolidated or Replaced (Dimensionally Compatible)**

The slotted stud model (CF) and the hex socket model (CF-A, CF-B) have been combined into the CF-AB type. The grease nipple is inside the hexagonal socket so that conventional models can be replaced without having the nipple protruding. Note) Model CF-AB corresponds to model numbers 12 to 30-2.

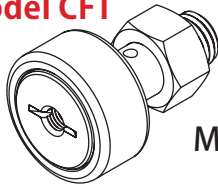
Model Number Coding Example



Other Models in the Lineup

In addition to Cam Follower with hexagonal socket and Eccentric Cam Follower with hexagonal socket, THK offers the following models.

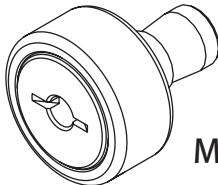
● Cam Follower with Tapped Hole for Greasing Model CFT



Model CFT

Basically the same as the popular type Cam Follower, this model is provided with tapped holes for piping on the stud head and the thread. It is optimal for locations where integrated piping for greasing is required.

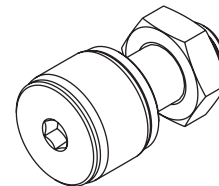
● Easy-Mount Cam Follower Model CF-SFU



Model CF-SFU

To simplify installation, a flat-head slot has been machined into the stud so that it can be secured with a screw. This is ideal for units where there is no space to fasten the stud. Model CF-SFU is only available with seals.

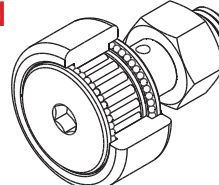
● Outer Ring Compact Cam Follower Model CFS



Model CFS

This product contains extremely fine needle rollers. The outer ring diameter is extremely small relative to the stud diameter, allowing a compact design.

● Cam Follower Containing Thrust Balls Model CFN



Model CFN

Based on the popular type Cam Follower, this model is incorporated with thrust load balls. Used in rugged, high-speed cam configurations, this model is effective at countering abnormal wear resulting from thrust loads due to mounting error.

NORTH AMERICA
THK America, Inc.
● HEAD QUARTERS
Phone: +1-847-310-1111 Fax: +1-847-310-1271
● CHICAGO OFFICE
Phone: +1-847-310-1111 Fax: +1-847-310-1182
● NORTH EAST OFFICE
Phone: +1-631-244-1565 Fax: +1-631-244-1565
● ATLANTA OFFICE
Phone: +1-770-840-7990 Fax: +1-770-840-7897
● LOS ANGELES OFFICE
Phone: +1-949-955-3145 Fax: +1-949-955-3149
● SAN FRANCISCO OFFICE
Phone: +1-925-455-8948 Fax: +1-925-455-8965
● DETROIT OFFICE
Phone: +1-248-858-9330 Fax: +1-248-858-9455
● TORONTO OFFICE
Phone: +1-905-820-7800 Fax: +1-905-820-7811

SOUTH AMERICA
THK BRAZIL INDUSTRIA E COMERCIO LTDA.
Phone: +55-11-3767-0100 Fax: +55-11-3767-0101

EUROPE
THK GmbH
● EUROPEAN HEADQUARTERS
Phone: +49-2102-7425-555 Fax: +49-2102-7425-556
● DÜSSELDORF OFFICE
Phone: +49-2102-7425-0 Fax: +49-2102-7425-299
● STUTTGART OFFICE
Phone: +49-7141-4988-500 Fax: +49-7141-4988-888
● U.K. OFFICE
Phone: +44-1384-47-1550 Fax: +44-1384-47-1551

● ITALY OFFICE
Phone: +39-02-9901-1801 Fax: +39-02-9901-1881
● SWEDEN OFFICE
Phone: +46-8-445-7630 Fax: +46-8-445-7639
● AUSTRIA OFFICE
Phone: +43-7229-51400 Fax: +43-7229-51400-79
● SPAIN OFFICE
Phone: +34-93-652-5740 Fax: +34-93-652-5746
● TURKEY OFFICE
Phone: +90-216-362-4050 Fax: +90-216-569-7150
● PRAGUE OFFICE
Phone: +420-2-41025-100 Fax: +420-2-41025-199
● MOSCOW OFFICE
Phone: +7-495-649-80-47 Fax: +7-495-649-80-44
THK Europe B.V.
● EINDHOVEN OFFICE
Phone: +31-040-290-9500 Fax: +31-040-290-9599
THK France S.A.S.
Phone: +33-4-3749-1400 Fax: +33-4-3749-1401

CHINA
THK (CHINA) CO., LTD.
● HEADQUARTERS
Phone: +86-411-8733-7111 Fax: +86-411-8733-7000
● SHANGHAI OFFICE
Phone: +86-21-6219-3000 Fax: +86-21-6219-9890
● BEIJING OFFICE
Phone: +86-10-8441-7277 Fax: +86-10-6590-3557
● CHENGDU OFFICE
Phone: +86-28-8526-8025 Fax: +86-28-8525-6357

● GUANGZHOU OFFICE
Phone: +86-20-8523-8418 Fax: +86-20-3801-0456
● SHENZHEN OFFICE
Phone: +86-755-2642-9587 Fax: +86-755-2642-9604
● XIAN OFFICE
Phone: +86-29-8834-1712 Fax: +86-29-8834-1710
THK (SHANGHAI) CO., LTD.
Phone: +86-21-6275-5280 Fax: +86-21-6219-9890

TAIWAN
THK TAIWAN CO., LTD.
● TAIPEI HEAD OFFICE
Phone: +886-2-2888-3818 Fax: +886-2-2888-3819
● TAICHUNG OFFICE
Phone: +886-4-2359-1505 Fax: +886-4-2359-1506
● TAINAN OFFICE
Phone: +886-6-289-7668 Fax: +886-6-289-7669

KOREA
SEOUL REPRESENTATIVE OFFICE
Phone: +82-2-3468-4351 Fax: +82-2-3468-4353

SINGAPORE
THK LM SYSTEM Pte. Ltd.
Phone: +65-6884-5500 Fax: +65-6884-5550

THAILAND
THK LM System Pte. Ltd. Representative Office in Thailand
Phone: +660-2751-3001 Fax: +660-2751-3003

INDIA
THK India Pvt. Ltd.
Phone: +91-80-2340-9934 Fax: +91-80-2340-9937

JAPAN
THK CO., LTD. (INTERNATIONAL SALES DEPARTMENT)
Phone: +81-3-5434-0351 Fax: +81-3-5434-0353