



Sep. 1st 2012

Messrs

THK CO., LTD.
Director, Senior General Manager of the Sales
Junji Shimomaki

Notice of discontinued, some components for the SKR/KR

Dear Sir, I would rejoice more and more on your stage of your health and prosperity. We bestowed the exceptional patronage always, thank you very much.

By the way, our company so far, we have sent off to the world many new products, while starting with linear systems make it better, continuing develop and model change of various products.

This occasion, we will stop the production of some components of SKR/KR. So, we have replacement products were prepared.

We inform you in more detail of stop the production below.

The future, we will do our best to provide better products. Thank you for your cooperation and understanding overlaid

Best regards

Symbol

《Production stoppage parts》

The housing A and middle flange for SKR/KR

Please see the attachment “technical data” for details.

《General order stop date》

March 29th 2013 (Orders will be received by the due this date)

In addition, if you have any questions, please contact our sales staff.

THK CO., LTD.

Messrs

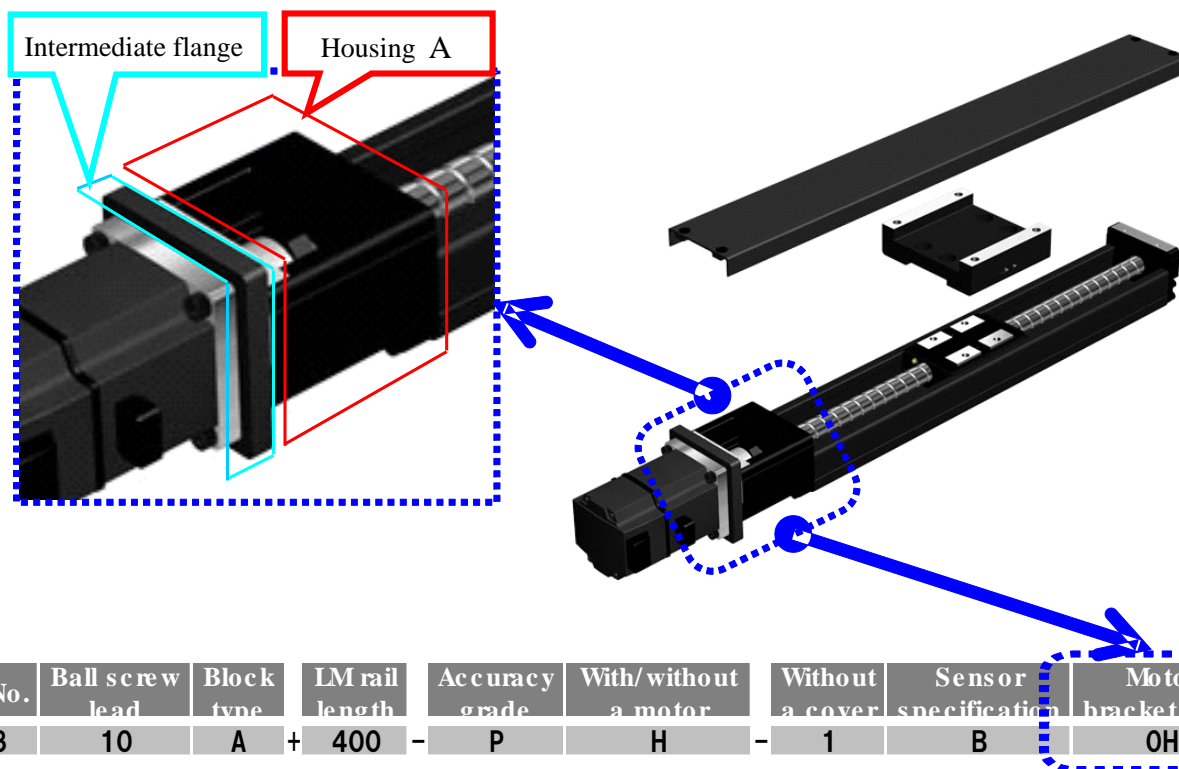
THK CO.,LTD.
The IMT division

Technical date

With respect to discontinuation and replacement of component part for SKR/KR

1. Target components

Target components are as follows



| Model No. | Ball screw lead | Block type | LM rail length | Accuracy grade | With/without a motor | Without a cover | Sensor specification | Motor bracket type |
|-----------|-----------------|------------|----------------|----------------|----------------------|-----------------|----------------------|--------------------|
| SKR33 | 10 | A | + 400 - | P | H | - 1 | B | OH |

2. Detail by model number

【KR15】

(1) Motor interface part number, old to new conversion chart

Direct Mount

| Motor type | | | | Rated output | Motor Size | Old | New |
|----------------|----------------------|--------|----------|--------------|------------|-----|-----|
| AC servo motor | Yaskawa Electric | Σ-mini | SGMM-A1 | 10W | □25 | 0B | AN |
| | | | SGMM-A2 | 20W | | 0B | AN |
| | Mitsubishi Electric | J2-Jr | HC-AQ013 | 10W | □28 | 0A | AM |
| | | | HC-AQ023 | 20W | | 0A | AM |
| Oriental Motor | α Step 5phase CSK II | ASC3* | | □28 | 0D | AS | |
| | | CSK52* | | □28 | 0D | AS | |

Housing A

Intermediate flange

(2) Housing A

No dimensional changes, part number changes: 0 →A)

(3) Intermediate flange

No dimensional changes, part number changes: See above chart

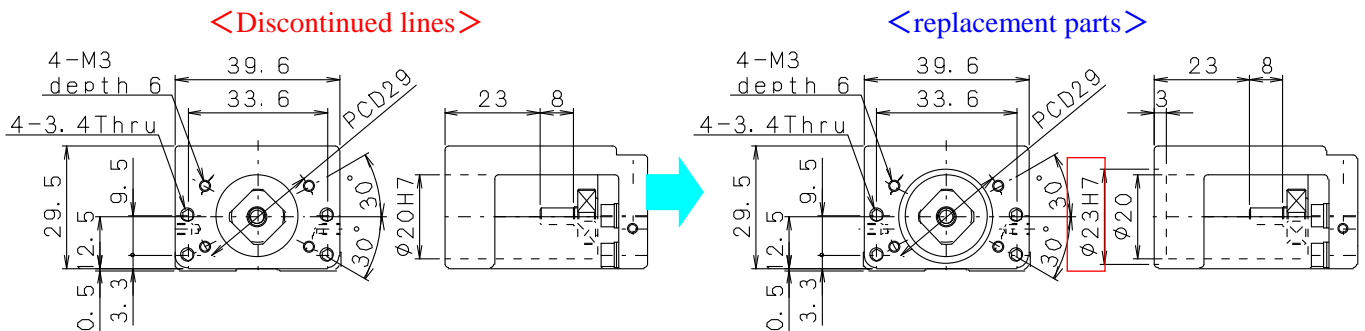
【KR20/SKR20】

(1) Motor interface part number, old to new conversion chart.

Direct Mount

| Motor type | | | | Rated output | Motor Size | Housing A | Intermediate flange | Old | New |
|---------------------|------------------|---------------|---------------------|--------------|------------|-----------|---------------------|-------|----------|
| AC servo motor | Yaskawa Electric | Σ-mini | SGMM-A1 | 10W | □25 | Housing A | Intermediate flange | 3N | AN |
| | | | SGMM-A2 | 20W | | | | 3N | AN |
| | | | SGMM-A3 | 30W | | | | 3N | AN |
| | | Σ-V | SGMJV-A5 | 50W | □40 | | | 0B | AQ |
| | | | SGMAV-A5 | | | | | 0B | AQ |
| | | | Mitsubishi Electric | | | | | J2-Jr | HC-AQ013 |
| | HC-AQ023 | 20W | | 3M | AM | | | | |
| | HC-AQ033 | 30W | | 3M | AM | | | | |
| | J3 | HF-MP053 | 50W | □40 | 0B | AQ | | | |
| | | HF-KP053 | | | 0B | AQ | | | |
| | Panasonic Corp. | MINAS A4 | MSMD5A | 50W | □38 | 0A | AP | | |
| | SANYO Electric | SANMOTION Q1 | Q1AA04003D | 30W | □40 | 0B | AQ | | |
| Q1AA04005D | | | 50W | 0B | | AQ | | | |
| Omron | OMNUC G5 | R88M-K05030 | 50W | □40 | 0B | AQ | | | |
| Fanuc | β is series | β is 0.2/5000 | 50W | □40 | 0B | AQ | | | |
| Keyence Corporation | MV | MV-M05 | 50W | □40 | 0B | AQ | | | |
| Stepping motor | Oriental Motor | α Step | ASC3* | | □28 | 0F | AS | | |
| | | | AS 46、ASC46、AR46 | | | □42 | 0E | AR | |
| | | | 5phase | CSK II | CSK52* | | □28 | 0F | AS |
| | | | | | CSK54* | | | □42 | 0E |
| | | 2phase | RK | RK54* | | □42 | 0E | AR | |
| | | | UMK | UMK24* | | | □42 | 0E | AR |
| | | CSK | CSK24* | | □42 | 0E | AR | | |

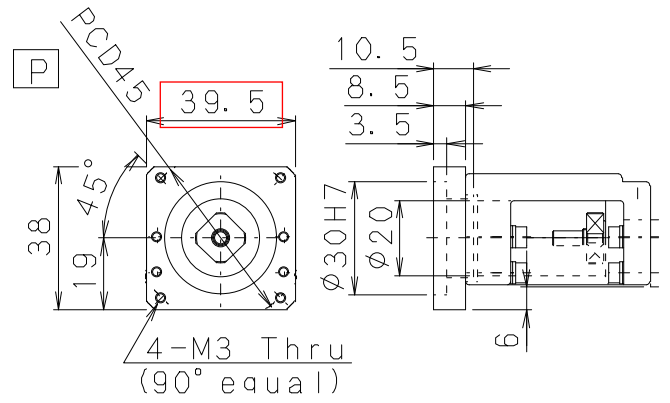
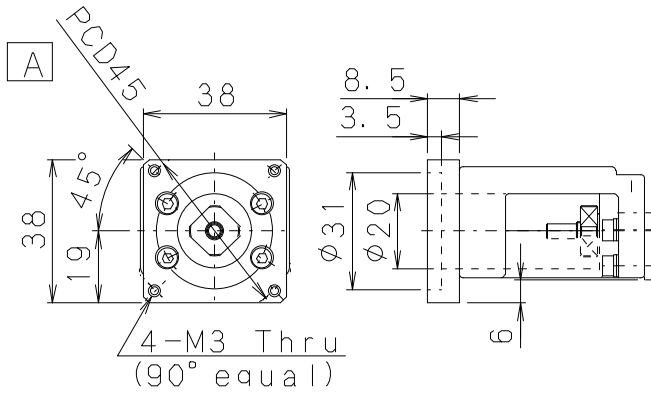
(2) Housing A change (Pat Number : 0 ⇒ A



(3) Intermediate flange **M,N type dose not change

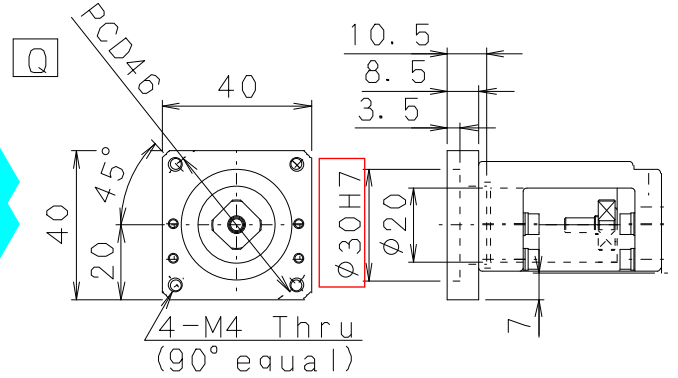
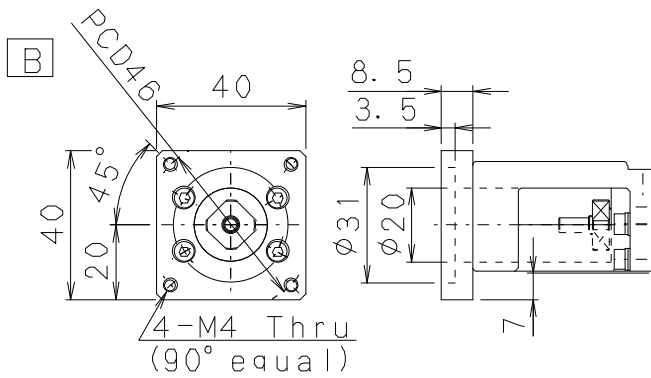
<Discontinued lines>

<replacement parts>



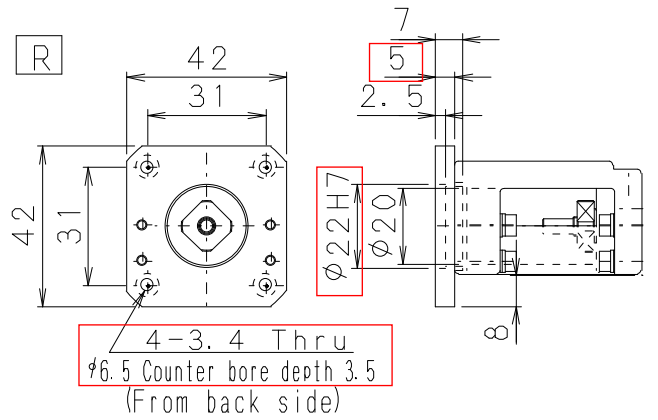
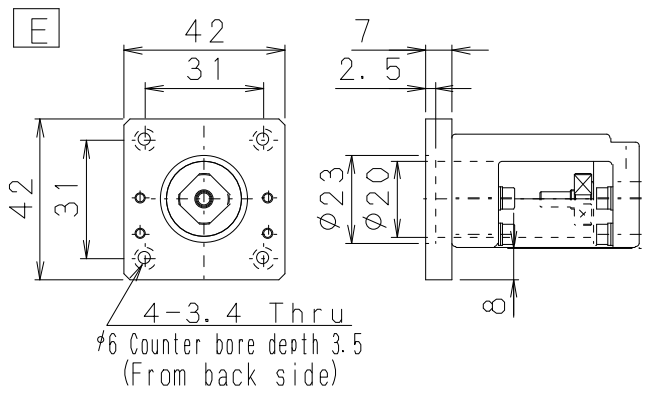
<Discontinued lines>

<replacement parts>



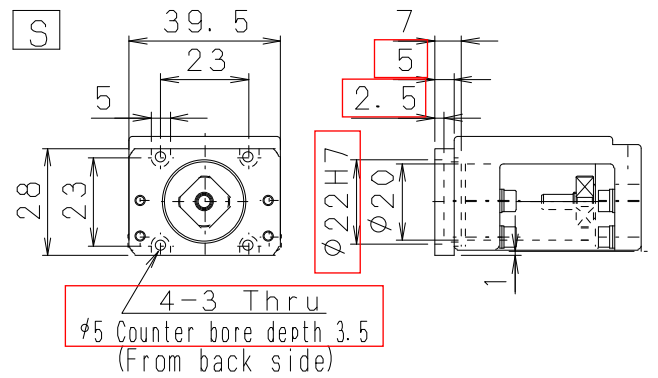
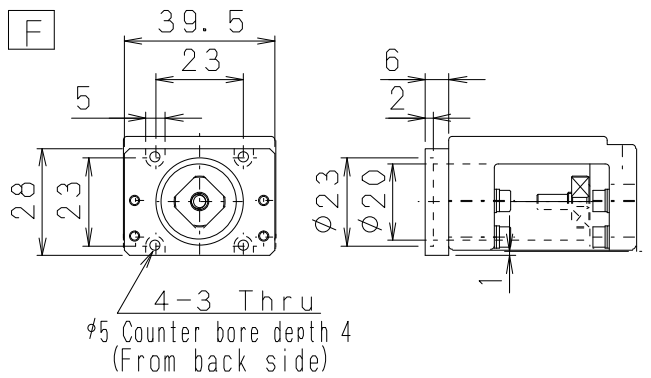
<Discontinued lines>

<replacement parts>



<Discontinued lines>

<replacement parts>



【KR26／SKR26】

(1) Motor interface part number, old to new conversion chart.

Direct Mount

Housing A

Intermediate flange

| Motor type | | | | Rated output | Motor Size | Old | New | | |
|---------------------|---------------------|--------------------|------------------|--------------|------------|-----|-----|----|----|
| AC servo motor | Yaskawa Electric | Σ -mini | SGMM-A1 | 10W | □25 | 0N | AN | | |
| | | | SGMM-A2 | 20W | | 0N | AN | | |
| | | | SGMM-A3 | 30W | | 0N | AN | | |
| | | Σ -V | SGMJV-A5 | 50W | □40 | 0B | AQ | | |
| | | | SGMAV-A5 | | | 0B | AQ | | |
| | Mitsubishi Electric | J2-Jr | HC-AQ013 | 10W | □28 | 0M | AM | | |
| | | | HC-AQ023 | 20W | | 0M | AM | | |
| | | | HC-AQ033 | 30W | | 0M | AM | | |
| | | J3 | HF-MP053 | 50W | □40 | 0B | AQ | | |
| | HF-KP053 | 0B | AQ | | | | | | |
| | Panasonic Corp. | MINAS A4 | MSMD5A | 50W | □38 | 0A | AP | | |
| | SANYO Electric | SANMOTION Q1 | Q1AA04003D | 30W | □40 | 0B | AQ | | |
| Q1AA04005D | | | 50W | 0B | | AQ | | | |
| Omron | OMNUC G5 | R88M-K05030 | 50W | □40 | 0B | AQ | | | |
| Fanuc | β is series | β is0.2/5000 | 50W | □40 | 0B | AQ | | | |
| Keyence Corporation | MV | MV-M05 | 50W | □40 | 0B | AQ | | | |
| Stepping motor | Oriental Motor | α Step | ASC3* | | □28 | 0F | AS | | |
| | | | AS 46、ASC46、AR46 | | | □42 | 0E | AR | |
| | | 5phase | CSK II | CSK52* | | □28 | 0F | AS | |
| | | | | CSK54* | | | □42 | 0E | AR |
| | | 2phase | RK | RK54* | | □42 | 0E | AR | |
| | | | UMK | UMK24* | | | 0E | AR | |
| | | | CSK | CSK24* | | | □42 | 0E | AR |
| | | | | | | | | 0E | AR |

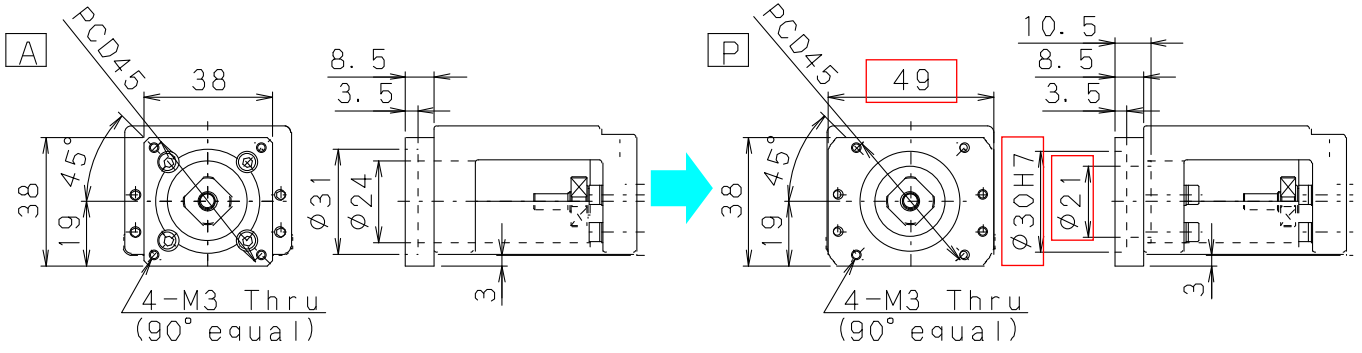
(2) Housing A

No dimensional change (part number changes: 0 ⇒ A)

(3) Intermediate flange **M,N type dose not change

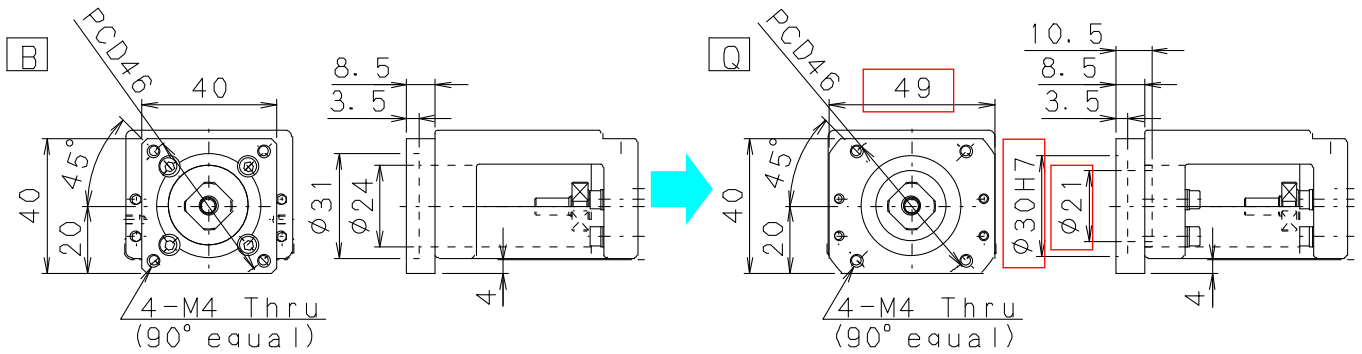
<Discontinued lines>

<replacement parts>



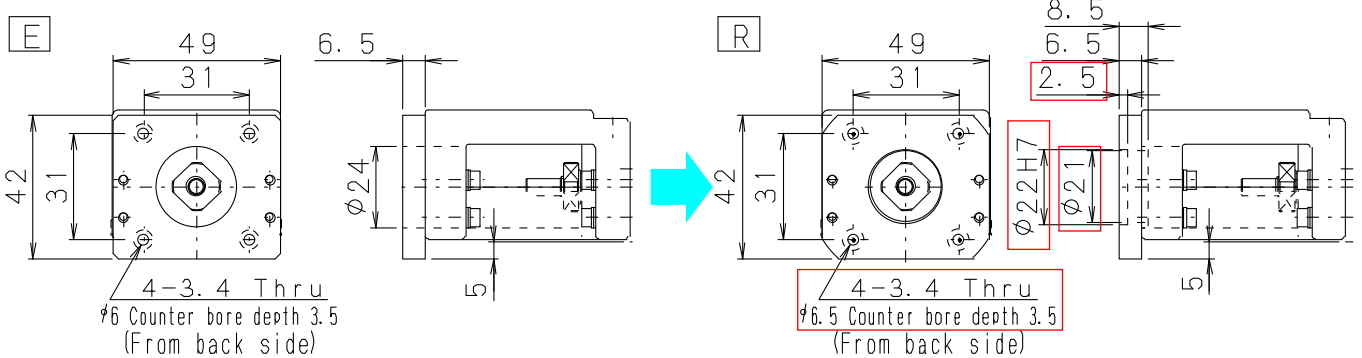
<Discontinued lines>

<replacement parts>



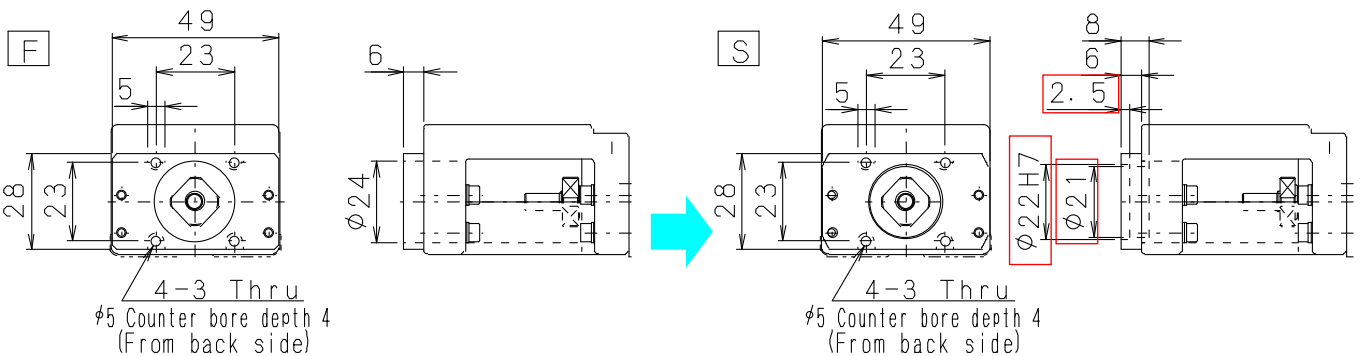
<Discontinued lines>

<replacement parts>



<Discontinued lines>

<replacement parts>



【KR30H】

(1) Motor interface part number, old to new conversion chart.

Direct Mount

| Motor type | | | | Rated output | Motor Size | Housing A Old | Intermediate flange New |
|---------------------|---------------------|--------------------|------------------|--------------|------------|------------------|----------------------------|
| AC servo motor | Yaskawa Electric | $\Sigma - V$ | SGMJV-A5 | 50W | □40 | 0B | AQ |
| | | | SGMAV-A5 | | | 0B | AQ |
| | | | SGMJV-01 | 100W | | 0B | AQ |
| | | | SGMAV-01 | | | 0B | AQ |
| | Mitsubishi Electric | J3 | HF-MP053 | 50W | □40 | 0B | AQ |
| | | | HF-KP053 | | | 0B | AQ |
| | | | HF-MP13 | 100W | | 0B | AQ |
| | | | HF-KP13 | | | 0B | AQ |
| | Panasonic Crop. | MINAS A4 | MSMD5A | 50W | □38 | 0A | AP |
| | | | MSMD01 | 100W | | 0A | AP |
| | SANYO Electric | SANMOTION Q1 | Q1AA04003D | 30W | □40 | 0B | AQ |
| | | | Q1AA04005D | 50W | | 0B | AQ |
| | | | Q1AA04010D | 100W | | 0B | AQ |
| | Omron | OMNUC G5 | R88M-K05030 | 50W | □40 | 0B | AQ |
| R88M-K10030 | | | 100W | 0B | | AQ | |
| Fanuc | β is series | β is0.2/5000 | 50W | □40 | 0B | AQ | |
| | | β is0.3/5000 | 100W | | 0B | AQ | |
| Keyence Corporation | MV | MV-M05 | 50W | □40 | 0B | AQ | |
| | | MV-M10 | 100W | | 0B | AQ | |
| Stepping motor | Oriental Motor | α Step | AS 46、ASC46、AR46 | □42 | 1C | AR | |
| | | | AS 6*、ASC66、AR6* | □60 | 0E | AU | |
| | | 5phase | CSK II | CSK54* | □42 | 1C | AR |
| | | | | CSK56* | □60 | 0E | AU |
| | | | RK | RK54* | □42 | 1C | AR |
| | | | | RK56* | □60 | 0E | AU |
| | | 2phase | UMK | UMK24* | □42 | 1C | AR |
| | | | | UMK26* | □56.4 | 0D | AT |
| | | | CSK | CSK24* | □42 | 1C | AR |
| | | | | CSK26* | □56.4 | 0D | AT |

(2) Housing A

No dimensional change.

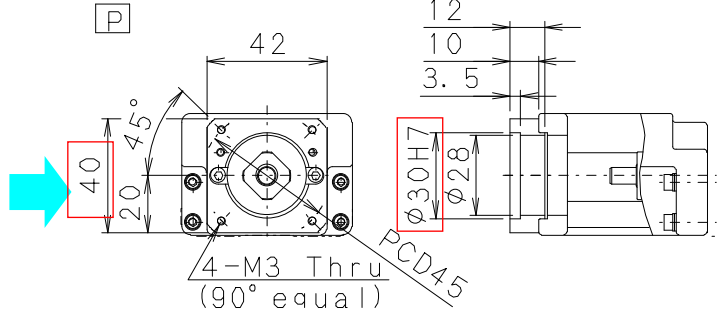
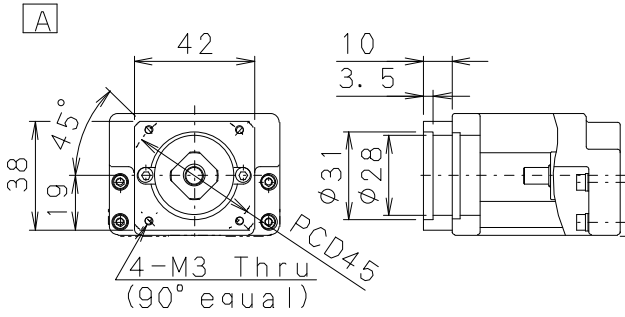
Cover mounting tap is added for no-cover unit as well

Part number changed: 0 ⇒ A

(3) Intermediate flange changed from black oxide finish to THK AP-C Coating.(Refer to Clause2 ②-3)

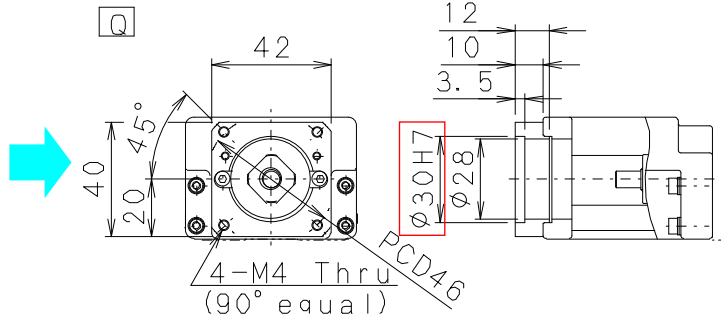
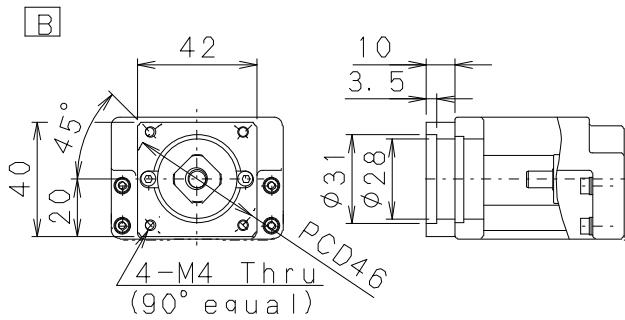
<Discontinued lines>

<replacement parts>



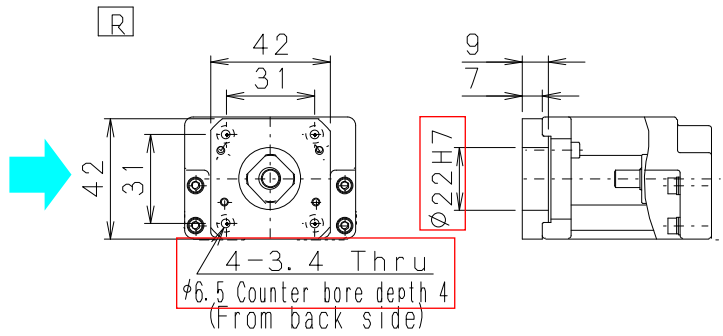
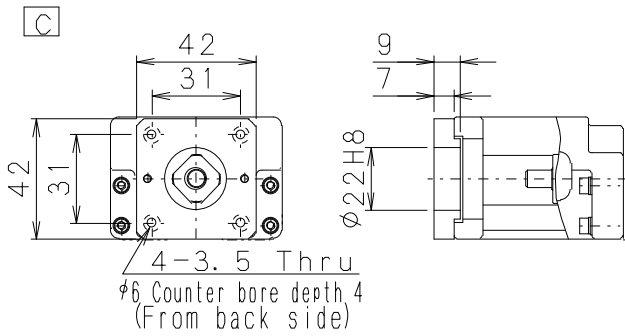
<Discontinued lines>

<replacement parts>



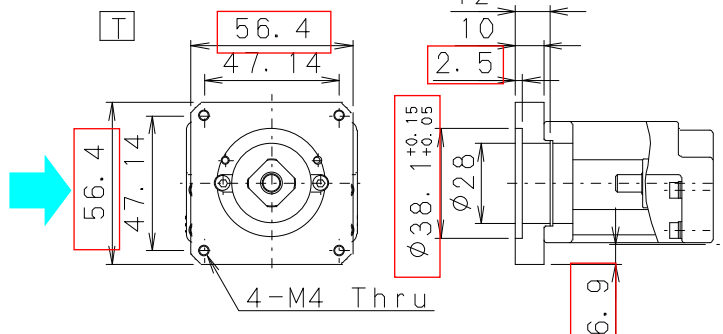
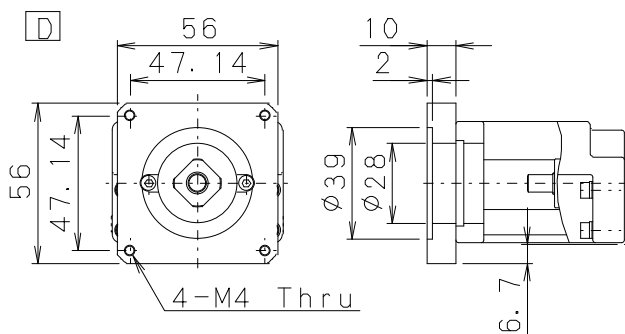
<Discontinued lines>

<replacement parts>



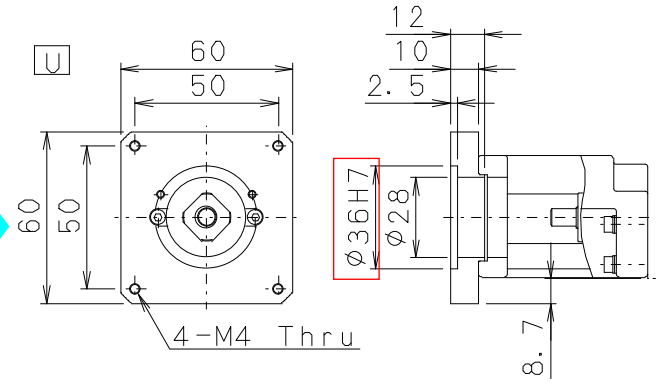
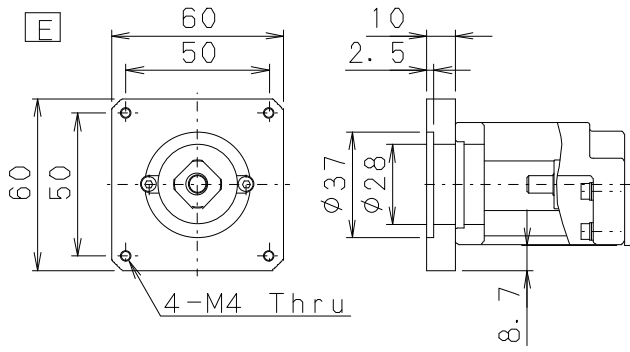
<Discontinued lines>

<replacement parts>



<Discontinued lines>

<replacement parts>



[KR33]

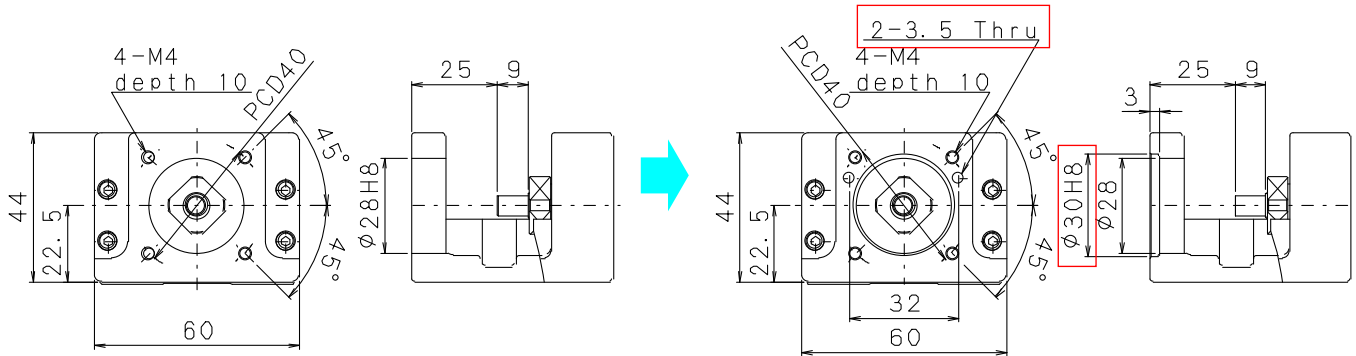
(1) Motor interface part number, old to new conversion chart.

| Direct Mount | | | | | Housing A | Intermediate flange | | |
|---------------------|---------------------|-------------------|---------------------|--------------|--------------|---------------------|-----|----|
| Motor type | | | Rated output | Motor Size | Old | | New | |
| AC servo motor | Yaskawa Electric | $\Sigma - V$ | SGMJV-A5 | 50W | $\square 40$ | 5H | AQ | |
| | | | SGMAV-A5 | | | 5H | AQ | |
| | | | SGMJV-01 | 100W | | 5H | AQ | |
| | | | SGMAV-01 | | | 5H | AQ | |
| | Mitsubishi Electric | J3 | HF-MP053 | 50W | $\square 40$ | 5H | AQ | |
| | | | HF-KP053 | | | 5H | AQ | |
| | | | HF-MP13 | 100W | | 5H | AQ | |
| | | | HF-KP13 | | | 5H | AQ | |
| | Panasonic Crop. | MINAS A4 | MSMD5A | 50W | $\square 38$ | 5K | AP | |
| | | | MSMD01 | 100W | | 5K | AP | |
| | SANYO Electric | SANMOTION Q1 | Q1AA04003D | 30W | $\square 40$ | 5H | AQ | |
| | | | Q1AA04005D | 50W | | 5H | AQ | |
| | | | Q1AA04010D | 100W | | 5H | AQ | |
| | Omron | OMNUC G5 | R88M-K05030 | 50W | $\square 40$ | 5H | AQ | |
| | | | R88M-K10030 | 100W | | 5H | AQ | |
| | Fanuc | β is series | β is 0.2/5000 | 50W | $\square 40$ | 5H | AQ | |
| β is 0.3/5000 | | | 100W | 5H | | AQ | | |
| Keyence Corporation | MV | MV-M05 | 50W | $\square 40$ | 5H | AQ | | |
| | | MV-M10 | 100W | | 5H | AQ | | |
| Stepping motor | Oriental Motor | α Step | AS 46, ASC46, AR46 | $\square 42$ | 5I | AR | | |
| | | | AS 6*, ASC66, AR6* | | $\square 60$ | 5G | AU | |
| | | 5phase | CSK II | CSK54* | $\square 42$ | 5I | AR | |
| | | | | CSK56* | | $\square 60$ | 5G | AU |
| | | | RK | RK54* | $\square 42$ | 5I | AR | |
| | | | | RK56* | | $\square 60$ | 5G | AU |
| | | 2phase | UMK | UMK24* | $\square 42$ | 5I | AR | |
| | | | | UMK26* | | $\square 56.4$ | 5F | AT |
| | | | CSK | CSK24* | $\square 42$ | 5I | AR | |
| | | | | CSK26* | | $\square 56.4$ | 5F | AT |

(2) Housing A (Part Number Change: 0 \Rightarrow A)

<Discontinued lines>

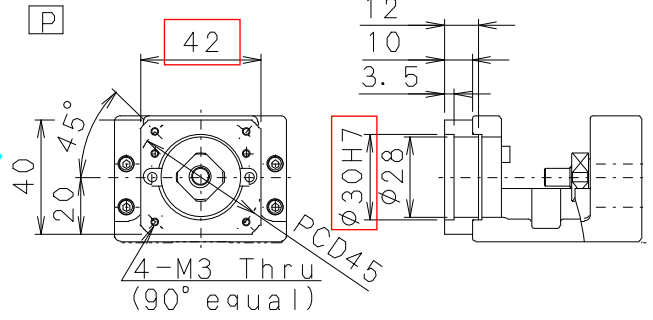
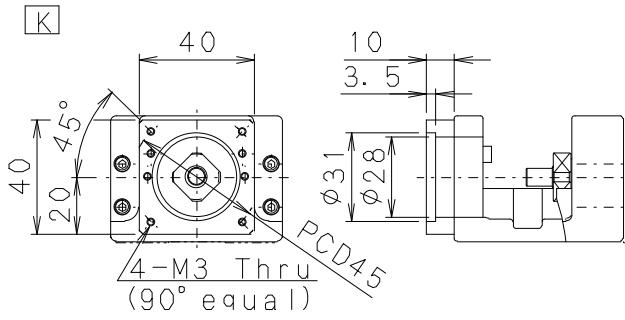
<replacement parts>



(3) Intermediate flange changed from black oxide finish to THK AP-C Coating.(Refer to Clause2 ②-3

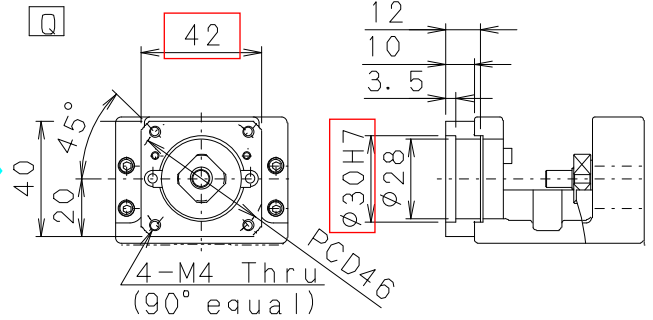
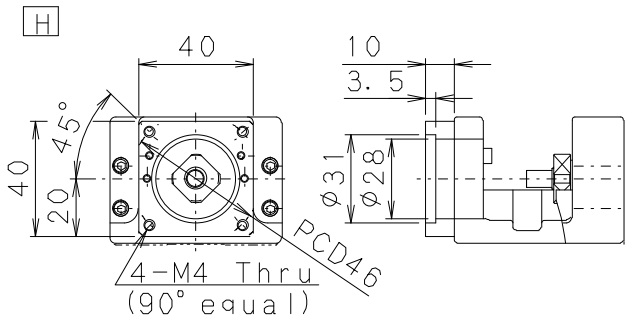
<Discontinued lines>

<replacement parts>



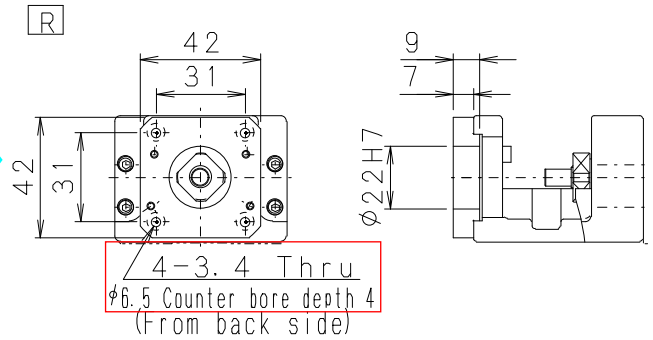
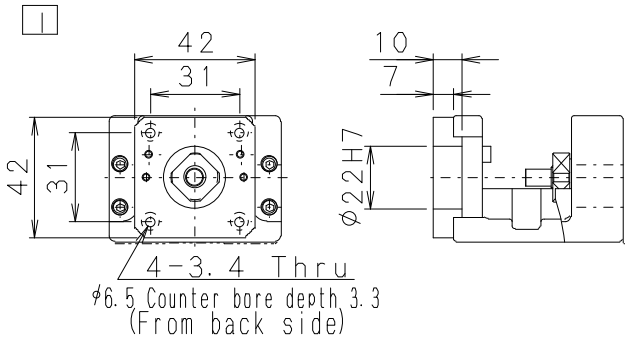
<Discontinued lines>

<replacement parts>



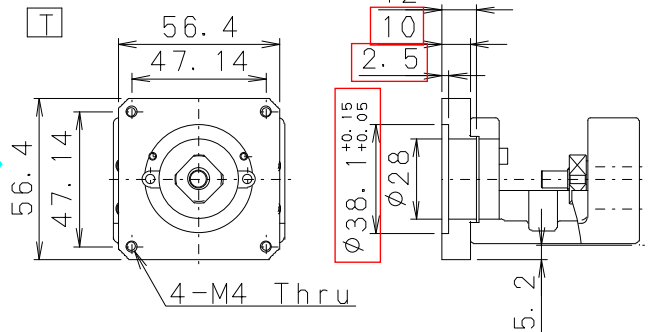
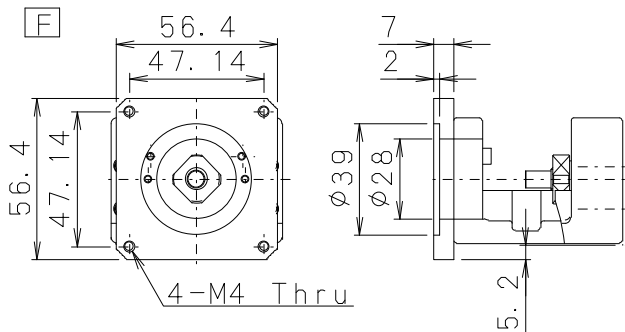
<Discontinued lines>

<replacement parts>



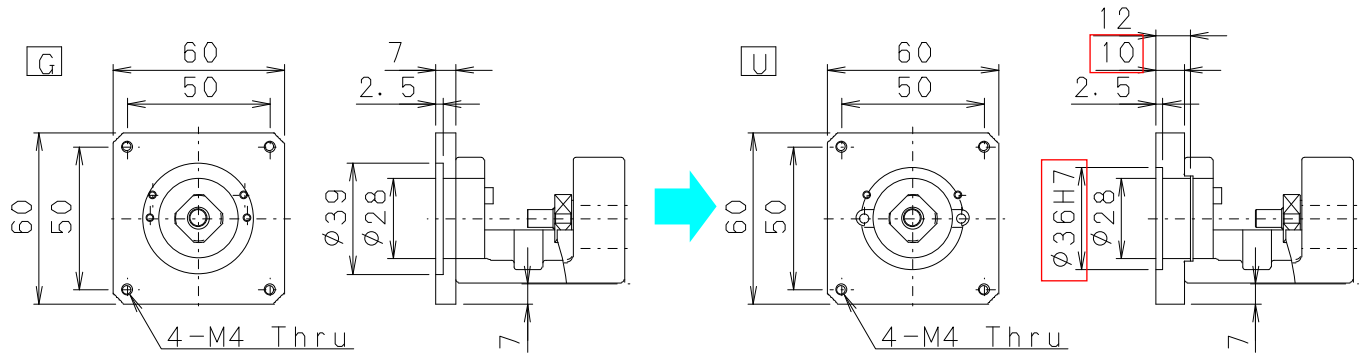
<Discontinued lines>

<replacement parts>



<Discontinued lines>

<replacement parts>



【SKR33】

(1) Motor interface part number, old to new conversion chart.

Direct Mount

Housing A

Intermediate flange

| Motor type | | | | Rated output | Motor Size | Old | New |
|---------------------|---------------------|-------------------|--------------------|--------------|------------|-----|-----|
| AC servo motor | Yaskawa Electric | $\Sigma - V$ | SGMJV-A5 | 50W | □40 | 0H | AQ |
| | | | SGMAV-A5 | | | 0H | AQ |
| | | | SGMJV-01 | 100W | | 0H | AQ |
| | | | SGMAV-01 | | | 0H | AQ |
| | Mitsubishi Electric | J3 | HF-MP053 | 50W | □40 | 0H | AQ |
| | | | HF-KP053 | | | 0H | AQ |
| | | | HF-MP13 | 100W | | 0H | AQ |
| | | | HF-KP13 | | | 0H | AQ |
| | Panasonic Corp. | MINAS A4 | MSMD5A | 50W | □38 | 0K | AP |
| | | | MSMD01 | 100W | | 0K | AP |
| | SANYO Electric | SANMOTION Q1 | Q1AA04003D | 30W | □40 | 0H | AQ |
| | | | Q1AA04005D | 50W | | 0H | AQ |
| | | | Q1AA04010D | 100W | | 0H | AQ |
| | Omron | OMNUC G5 | R88M-K05030 | 50W | □40 | 0H | AQ |
| | | | R88M-K10030 | 100W | | 0H | AQ |
| | Fanuc | β is series | β is0.2/5000 | 50W | □40 | 0H | AQ |
| β is0.3/5000 | | | 100W | 0H | | AQ | |
| Keyence Corporation | MV | MV-M05 | 50W | □40 | 0H | AQ | |
| | | MV-M10 | 100W | | 0H | AQ | |
| Stepping motor | Oriental Motor | α Step | AS 46、ASC46、AR46 | □42 | 0I | AR | |
| | | | AS 6*、ASC66、AR6* | □60 | 0G | AU | |
| | | 5phase | CSK II | CSK54* | □42 | 0I | AR |
| | | | | CSK56* | □60 | 0G | AU |
| | | RK | RK54* | □42 | 0I | AR | |
| | | | RK56* | □60 | 0G | AU | |
| | | 2phase | UMK | UMK24* | □42 | 0I | AR |
| | | | | UMK26* | □56.4 | 0F | AT |
| | | | CSK | CSK24* | □42 | 0I | AR |
| | | | | CSK26* | □56.4 | 0F | AT |

(2) Housing A

No dimensional change.

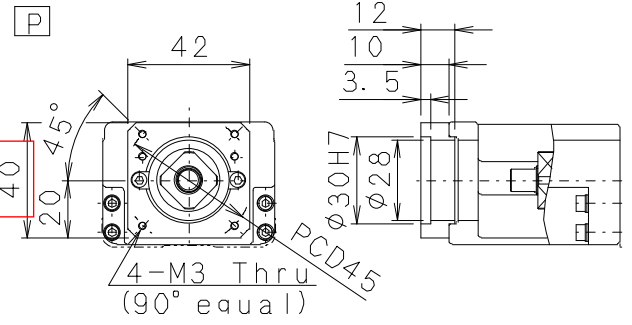
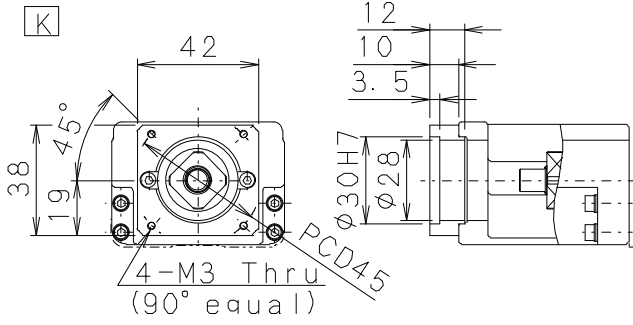
Cover mounting tap is added for no-cover unit as well

Part number changed: 0 ⇒ A

(3) Intermediate flange changed from black oxide finish to THK AP-C Coating.(Refer to Clause2 ②-3

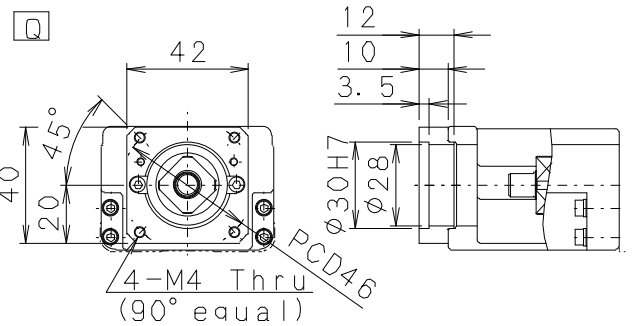
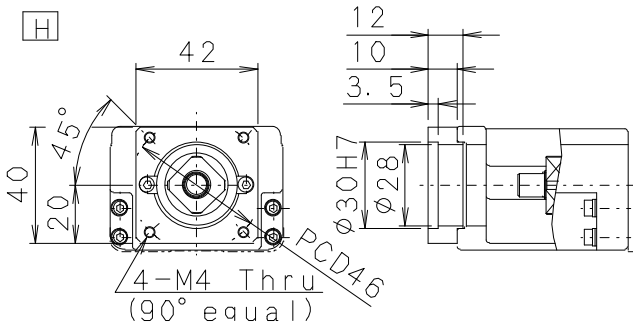
<Discontinued lines>

<replacement parts>



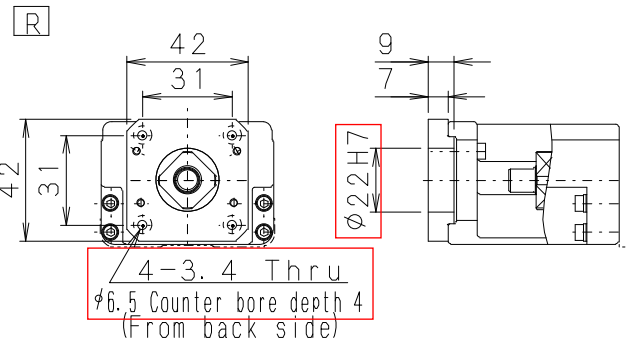
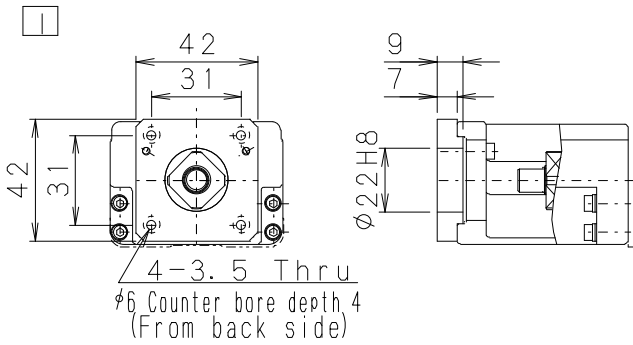
<Discontinued lines>

<replacement parts>



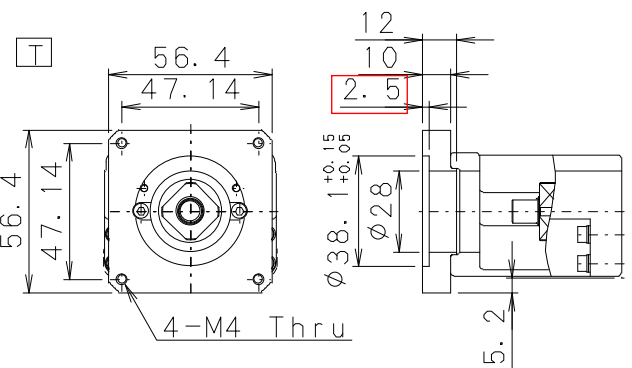
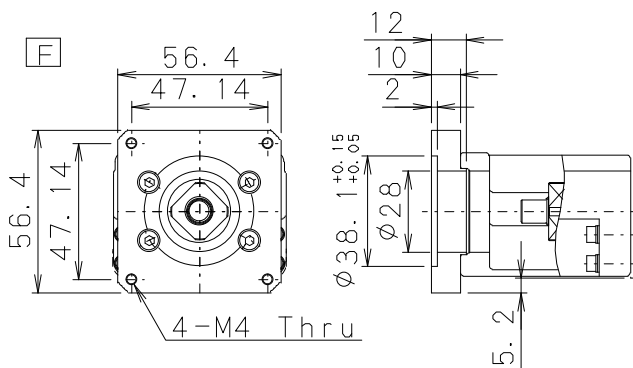
<Discontinued lines>

<replacement parts>

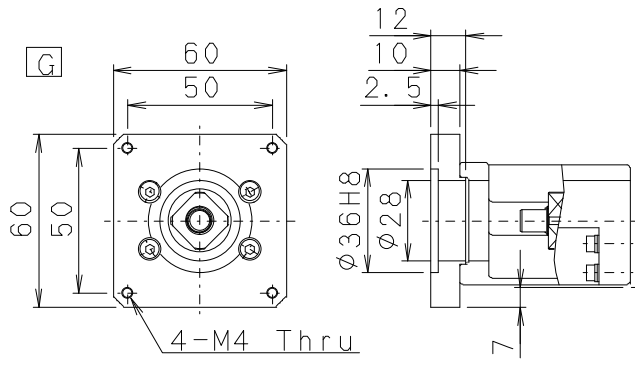


<Discontinued lines>

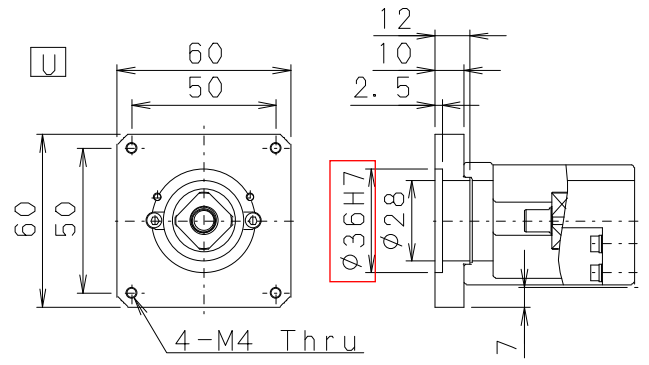
<replacement parts>



<Discontinued lines>



<replacement parts>



【KR45H】

(1) Motor interface part number, old to new conversion chart.

Direct Mount

| Motor type | | | | Rated output | Motor Size | Old | New | |
|---------------------|---------------------|-------------------|--------------------|--------------|------------|-----|-----|----|
| AC servo motor | Yaskawa Electric | $\Sigma - V$ | SGMJV-A5 | 50W | □40 | 0B | AQ | |
| | | | SGMJV-01 | 100W | | 0B | AQ | |
| | | | SGMJV-02 | 200W | □60 | 0D | A0 | |
| | | | SGMJV-04 | 400W | | 0D | A0 | |
| | Mitsubishi Electric | J3 | HF-KP053 | 50W | □40 | 0B | AQ | |
| | | | HF-KP13 | 100W | | 0B | AQ | |
| | | | HF-KP23 | 200W | □60 | 0D | A0 | |
| | | | HF-KP43 | 400W | | 0D | A0 | |
| | Panasonic Crop. | MINAS A4 | MSMD5A | 50W | □38 | 0A | AP | |
| | | | MSMD01 | 100W | | 0A | AP | |
| | | | MSMD02 | 200W | □60 | 0C | AY | |
| | | | MSMD04 | 400W | | 0C | AY | |
| | SANYO Electric | SANMOTION Q1 | Q1AA04005D | 50W | □40 | 0B | AQ | |
| | | | Q1AA04010D | 100W | | 0B | AQ | |
| | | | Q1AA06020D | 200W | □60 | 0D | A0 | |
| | | | Q1AA06040D | 400W | | 0D | A0 | |
| | Omron | OMNUC G5 | R88M-K05030 | 50W | □40 | 0B | AQ | |
| | | | R88M-K10030 | 100W | | 0B | AQ | |
| | | | R88M-K20030 | 200W | □60 | 0C | AY | |
| | | | R88M-K40030 | 400W | | 0C | AY | |
| | Fanuc | β is series | β is0.2/5000 | 50W | □40 | 0B | AQ | |
| | | | β is0.3/5000 | 100W | | 0B | AQ | |
| | | | β is0.4/5000 | 130W | □60 | 0D | A0 | |
| | | | β is0.5/6000 | 350W | | 0D | A0 | |
| β is1/6000 | | | 500W | 0D | | A0 | | |
| Keyence Corporation | MV | MV-M05 | 50W | □40 | 0B | AQ | | |
| | | MV-M10 | 100W | | 0B | AQ | | |
| | | MV-M20 | 200W | □60 | 0D | A0 | | |
| | | MV-M40 | 400W | | 0D | A0 | | |
| Stepping motor | Oriental Motor | α Step | AS 6*、ASC66、AR6* | | □60 | 0F | AU | |
| | | 5phase | CSK II | CSK56* | | □60 | 0F | AU |
| | | | RK | RK56* | | □60 | 0F | AU |

(2) Housing A

No dimensional change.

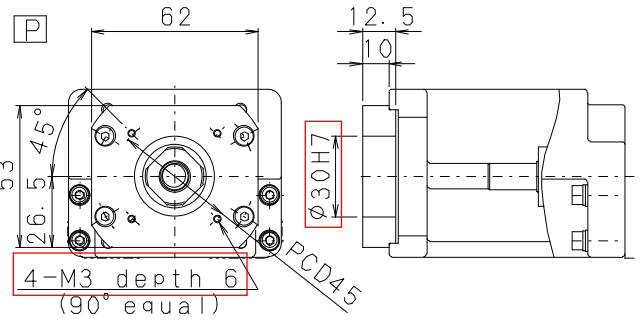
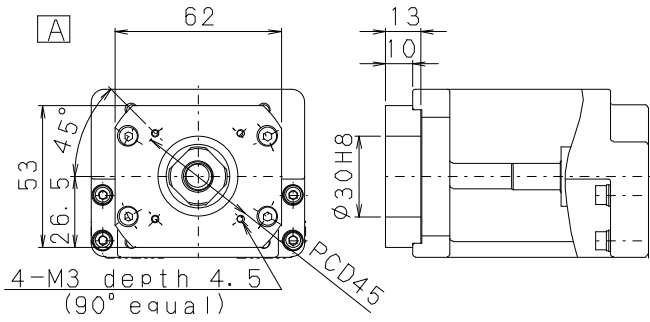
Cover mounting tap is added for no-cover unit as well

Part number changed: 0 ⇒ A

(3) Intermediate flange changed from black oxide finish to THK AP-C Coating.(Refer to Clause2 ②-3)

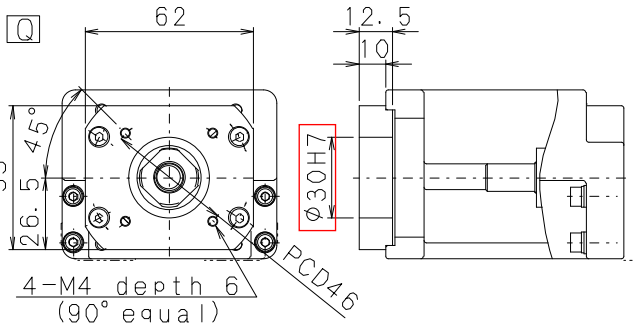
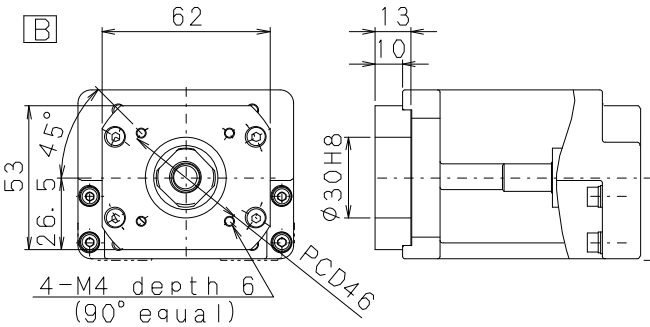
<Discontinued lines>

<replacement parts>



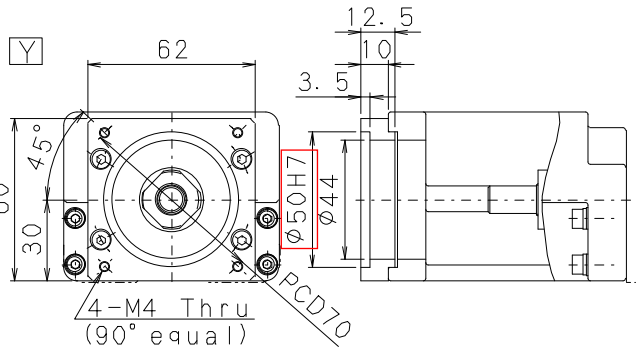
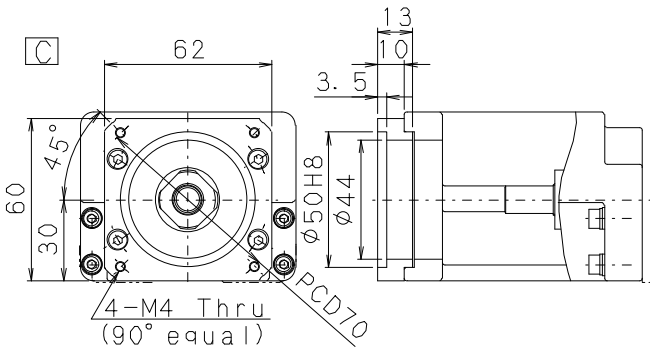
<Discontinued lines>

<replacement parts>



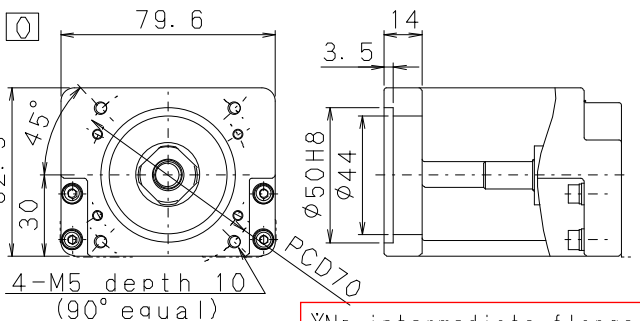
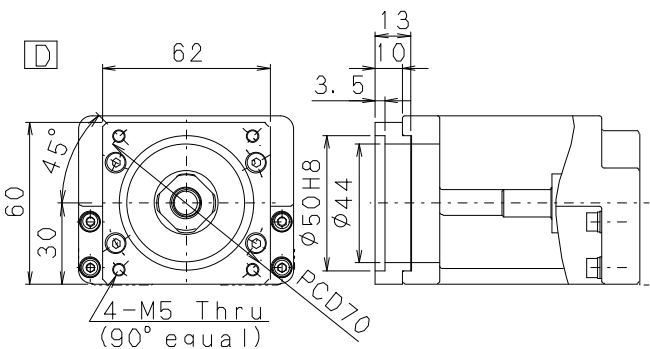
<Discontinued lines>

<replacement parts>



<Discontinued lines>

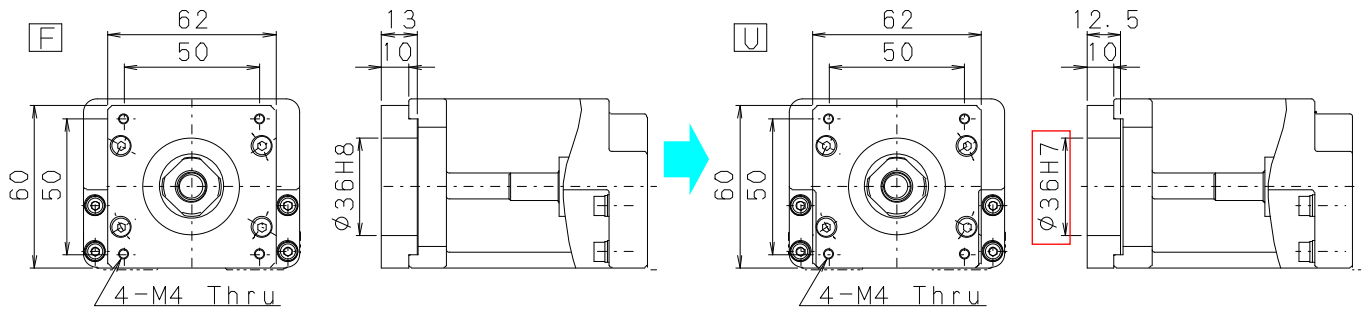
<replacement parts>



*No intermediate flange

<Discontinued lines>

<replacement parts>



[KR46]

(1) Motor interface part number, old to new conversion chart.

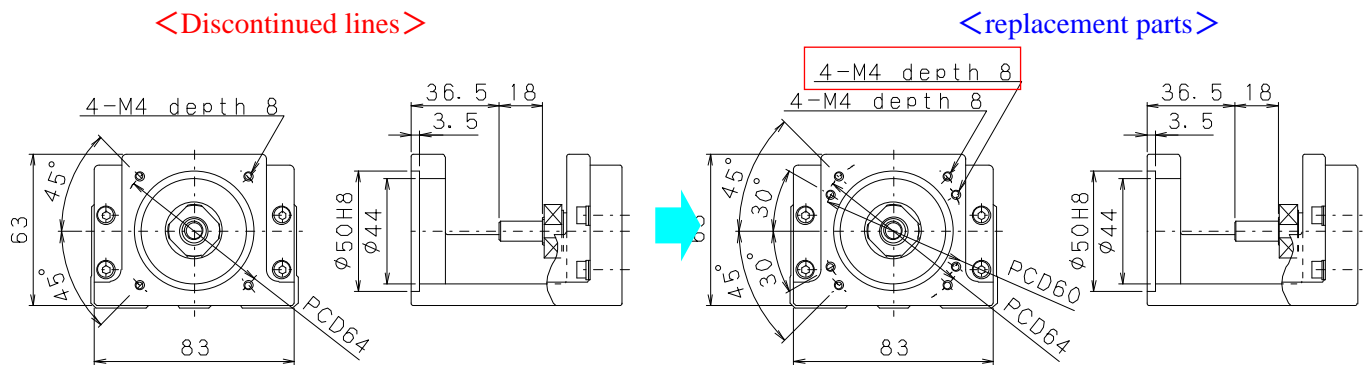
| Direct Mount | | | | Rated output | Motor Size | Old | Intermediate flange | New |
|----------------|---------------------|-------------------|--------------------|--------------------|------------|-----|---------------------|-----|
| AC servo motor | Yaskawa Electric | $\Sigma - V$ | SGMJV-A5 | 50W | □40 | 0F | → | 0Q |
| | | | SGMJV-01 | 100W | | 0F | | AQ |
| | | | SGMJV-02 | 200W | □60 | 40 | | 40 |
| | | | SGMJV-04 | 400W | | 40 | | 40 |
| | Mitsubishi Electric | J3 | HF-KP053 | 50W | □40 | 0F | | AQ |
| | | | HF-KP13 | 100W | | 0F | | AQ |
| | | | HF-KP23 | 200W | □60 | 40 | | 40 |
| | | | HF-KP43 | 400W | | 40 | | 40 |
| | Panasonic Corp. | MINAS A4 | MSMD5A | 50W | □38 | 0G | | AP |
| | | | MSMD01 | 100W | | 0G | | AP |
| | | | MSMD02 | 200W | □60 | 30 | | 30 |
| | | | MSMD04 | 400W | | 30 | | 30 |
| | SANYO Electric | SANMOTION Q1 | Q1AA04005D | 50W | □40 | 0F | | AQ |
| | | | Q1AA04010D | 100W | | 0F | | AQ |
| | | | Q1AA06020D | 200W | □60 | 40 | | 40 |
| | | | Q1AA06040D | 400W | | 40 | | 40 |
| | Omron | OMNUC G5 | R88M-K05030 | 50W | □40 | 0F | | AQ |
| | | | R88M-K10030 | 100W | | 0F | | AQ |
| | | | R88M-K20030 | 200W | □60 | 30 | | 30 |
| | | | R88M-K40030 | 400W | | 30 | | 30 |
| | Fanuc | β is series | β is0.2/5000 | 50W | □40 | 0F | | AQ |
| | | | β is0.3/5000 | 100W | | 0F | | AQ |
| | | | β is0.4/5000 | 130W | □60 | 40 | | 40 |
| | | | β is0.5/6000 | 350W | | 40 | | 40 |
| | | | β is1/6000 | 500W | | 40 | | 40 |
| | Keyence Corporation | MV | MV-M05 | 50W | □40 | 0F | | AQ |
| | | | MV-M10 | 100W | | 0F | | AQ |
| | | | MV-M20 | 200W | □60 | 40 | | 40 |
| MV-M40 | | | 400W | 40 | | 40 | | |
| Stepping motor | Oriental Motor | α Step | | AS 6*, ASC66, AR6* | □60 | 10 | 10 | |
| | | 5phase | CSK II | CSK56* | □60 | 10 | 10 | |
| | | | RK | RK56* | □60 | 10 | 10 | |

(2) Housing A

※No change --- **[1],[3],[4]**.

※Cover mounting tap is added for no-cover unit as well

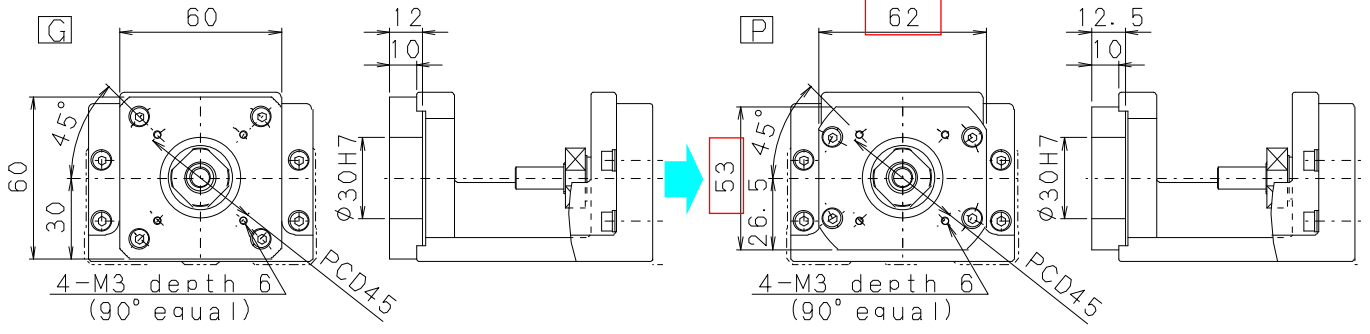
※Part number changed: 0 ⇒ A



(3) Intermediate flange changed from black oxide finish to THK AP-C Coating.(Refer to Clause2 ②-3

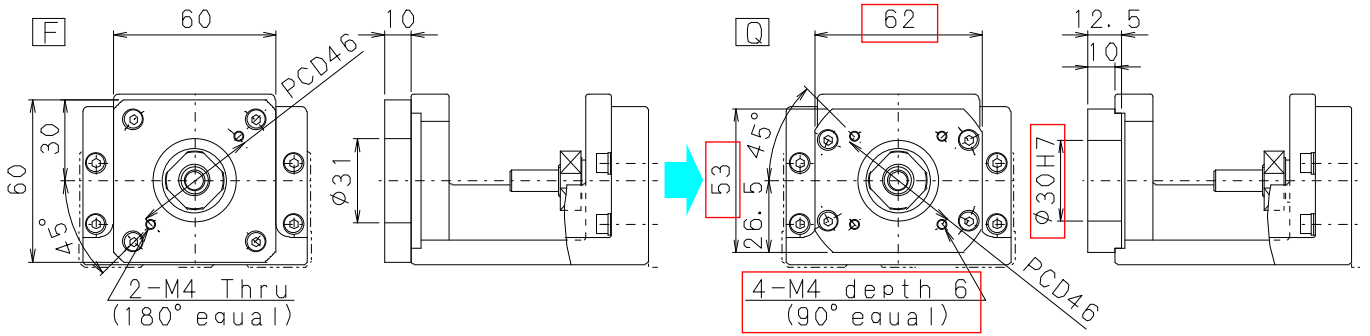
<Discontinued lines>

<replacement parts>



<Discontinued lines>

<replacement parts>



【SKR46】

(1) Motor interface part number, old to new conversion chart.

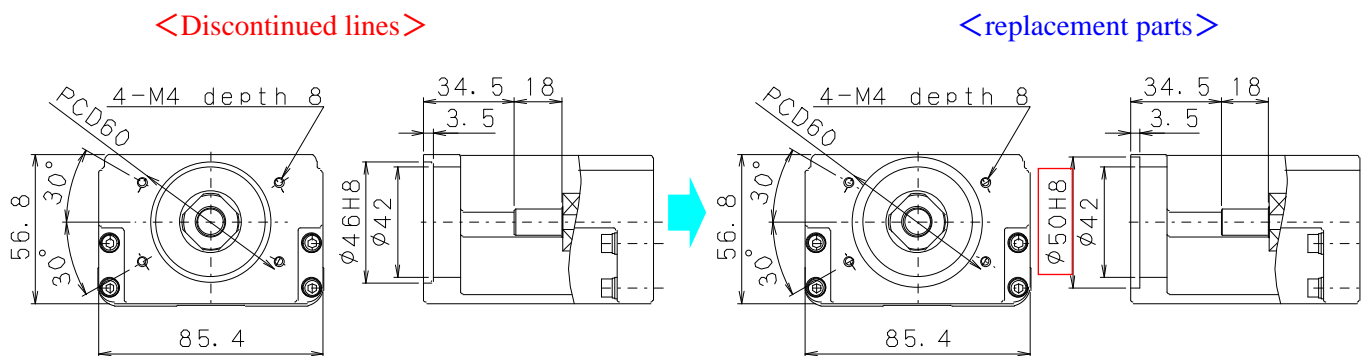
| Direct Mount | | | | | Housing A | Intermediate flange | | | | |
|----------------|---------------------|-------------------|--------------------|--------|--------------|---------------------|--------------|----|----|----|
| Motor type | Rated output | Motor Size | Old | New | | | | | | |
| | | | | | | | | | | |
| AC servo motor | Yaskawa Electric | $\Sigma - V$ | SGMJV-A5 | 50W | $\square 40$ | 0F | → | AQ | | |
| | | | SGMJV-01 | 100W | | 0F | → | AQ | | |
| | | | SGMJV-02 | 200W | | 04 | → | AV | | |
| | | | SGMJV-04 | 400W | | 04 | → | AV | | |
| | Mitsubishi Electric | J3 | HF-KP053 | 50W | $\square 40$ | 0F | → | AQ | | |
| | | | HF-KP13 | 100W | | 0F | → | AQ | | |
| | | | HF-KP23 | 200W | | 04 | → | AV | | |
| | | | HF-KP43 | 400W | | 04 | → | AV | | |
| | Panasonic Corp. | MINAS A4 | MSMD5A | 50W | $\square 38$ | 0G | → | AP | | |
| | | | MSMD01 | 100W | | 0G | → | AP | | |
| | | | MSMD02 | 200W | $\square 60$ | 03 | → | AY | | |
| | | | MSMD04 | 400W | | 03 | → | AY | | |
| | SANYO Electric | SANMOTION Q1 | Q1AA04005D | 50W | $\square 40$ | 0F | → | AQ | | |
| | | | Q1AA04010D | 100W | | 0F | → | AQ | | |
| | | | Q1AA06020D | 200W | $\square 60$ | 04 | → | AV | | |
| | | | Q1AA06040D | 400W | | 04 | → | AV | | |
| | Omron | OMNUC G5 | R88M-K05030 | 50W | $\square 40$ | 0F | → | AQ | | |
| | | | R88M-K10030 | 100W | | 0F | → | AQ | | |
| | | | R88M-K20030 | 200W | | $\square 60$ | 03 | → | AY | |
| | | | R88M-K40030 | 400W | | | 03 | → | AY | |
| | Fanuc | β is series | β is0.2/5000 | 50W | $\square 40$ | 0F | → | AQ | | |
| | | | β is0.3/5000 | 100W | | 0F | → | AQ | | |
| | | | β is0.4/5000 | 130W | $\square 60$ | 04 | → | AV | | |
| | | | β is0.5/6000 | 350W | | 04 | → | AV | | |
| | | | β is1/6000 | 500W | | 04 | → | AV | | |
| | Keyence Corporation | MV | MV-M05 | 50W | $\square 40$ | 0F | → | AQ | | |
| | | | MV-M10 | 100W | | 0F | → | AQ | | |
| | | | MV-M20 | 200W | $\square 60$ | 04 | → | AV | | |
| MV-M40 | | | 400W | 04 | | → | AV | | | |
| Stepping motor | Oriental Motor | α Step | AS 6*, ASC66, AR6* | | $\square 60$ | 01 | → | AU | | |
| | | | 5phase | CSK II | | CSK56* | $\square 60$ | 01 | → | AU |
| | | | | RK | | RK56* | $\square 60$ | 01 | → | AU |

(2) Housing A

No dimensional change.

Cover mounting tap is added for no-cover unit as well

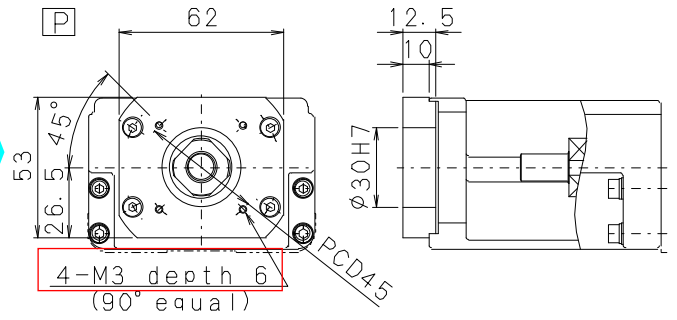
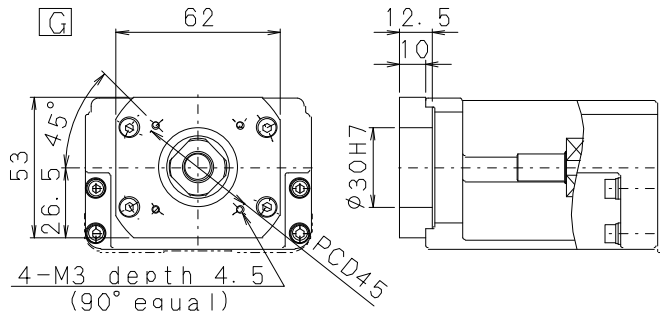
Part number changed: 0 ⇒ A



(3) Intermediate flange

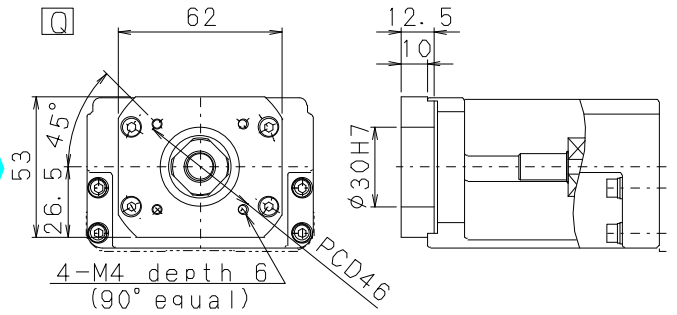
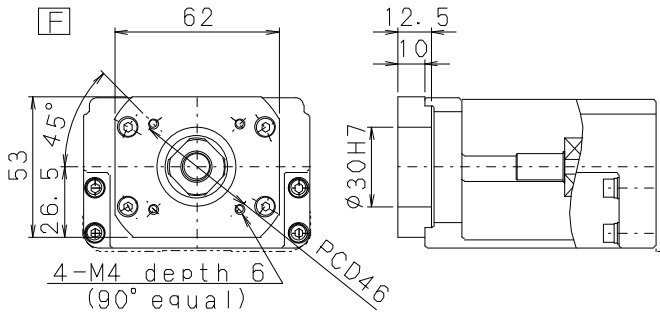
<Discontinued lines>

<replacement parts>



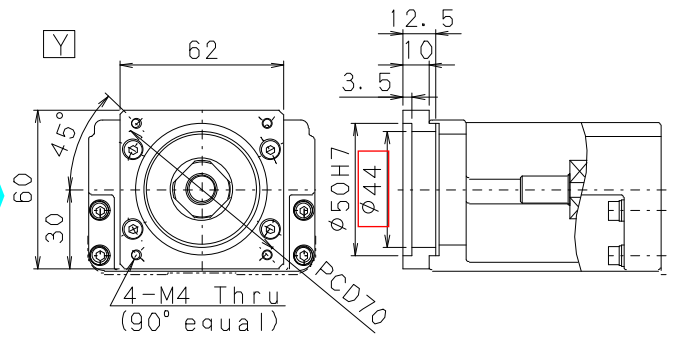
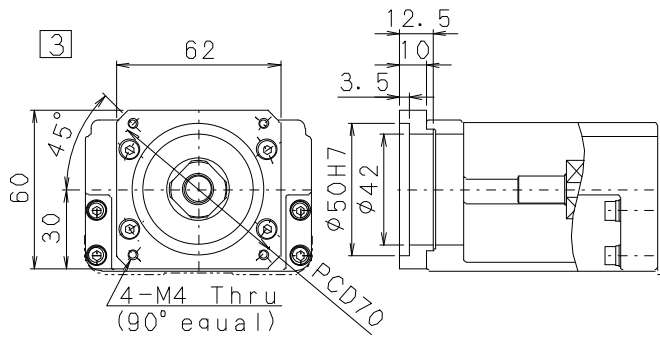
<Discontinued lines>

<replacement parts>



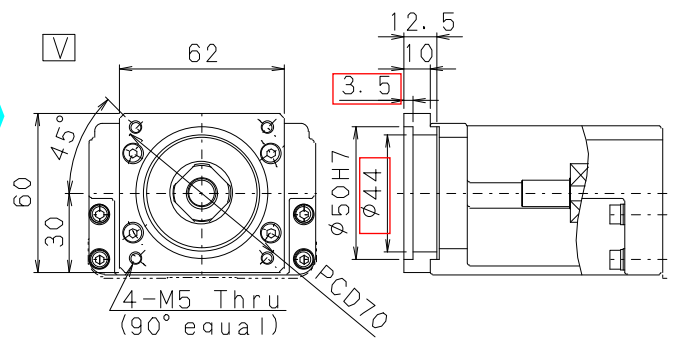
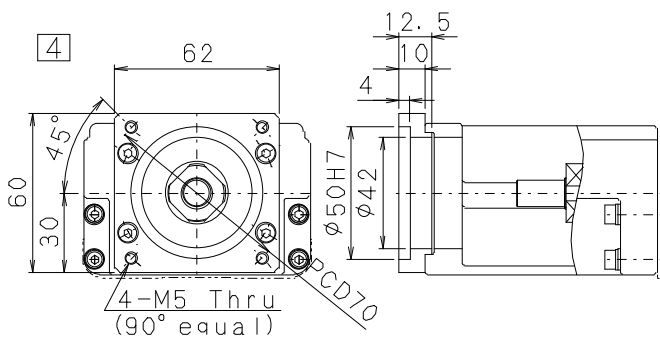
<Discontinued lines>

<replacement parts>



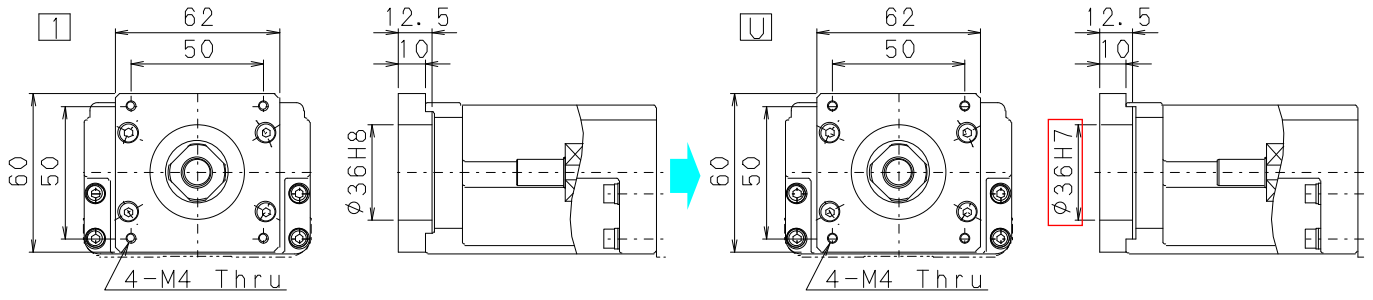
<Discontinued lines>

<replacement parts>



<Discontinued lines>

<replacement parts>



【KR55】

(1) Motor interface part number, old to new conversion chart.

Direct Mount

| Motor type | | | | Rated output | Motor Size | Housing A | Intermediate flange | Old | New |
|---------------------|---------------------|-------------------|--------------------|--------------|------------|-----------|---------------------|-----|-----|
| AC servo motor | Yaskawa Electric | $\Sigma - V$ | SGMJV-02 | 200W | □60 | ↙ | ↘ | 00 | A0 |
| | | | SGMJV-04 | 400W | | | | 00 | A0 |
| | | | SGMJV-08 | 750W | □80 | 0B | AZ | | |
| | Mitsubishi Electric | J3 | HF-KP23 | 200W | □60 | | | 00 | A0 |
| | | | HF-KP43 | 400W | | | | 00 | A0 |
| | | | HF-KP73 | 750W | □80 | 0B | AZ | | |
| | Panasonic Corp. | MINAS A4 | MSMD08 | 750W | □80 | | | 0A | A5 |
| | | | MAMA08 | | | | | 0A | A5 |
| | SANYO Electric | SANMOTION Q1 | Q1AA06020D | 200W | □60 | | | 00 | A0 |
| | | | Q1AA06040D | 400W | | | | 00 | A0 |
| | | | Q1AA07075D | 750W | □76 | 0A | A5 | | |
| | Omron | OMNUC G5 | R88M-K75030 | 750W | □80 | | | 0A | A5 |
| | Fanuc | β is series | β is0.4/5000 | 130W | □60 | | | 00 | A0 |
| | | | β is0.5/6000 | 350W | | | | 00 | A0 |
| | | | β is1/6000 | 500W | □60 | 00 | A0 | | |
| Keyence Corporation | MV | MV-M20 | 200W | □60 | | | 00 | A0 | |
| | | MV-M40 | 400W | | | | 00 | A0 | |
| | | MV-M75 | 750W | □76 | 0A | A5 | | | |
| Stepping motor | Oriental Motor | α Step | AS 9* | | □85 | | 0G | A6 | |
| | | 5phase | CSK II | CSK59* | | □85 | | 0G | A6 |
| | | | RK | RK59* | | □85 | | 0G | A6 |

(2) Housing A

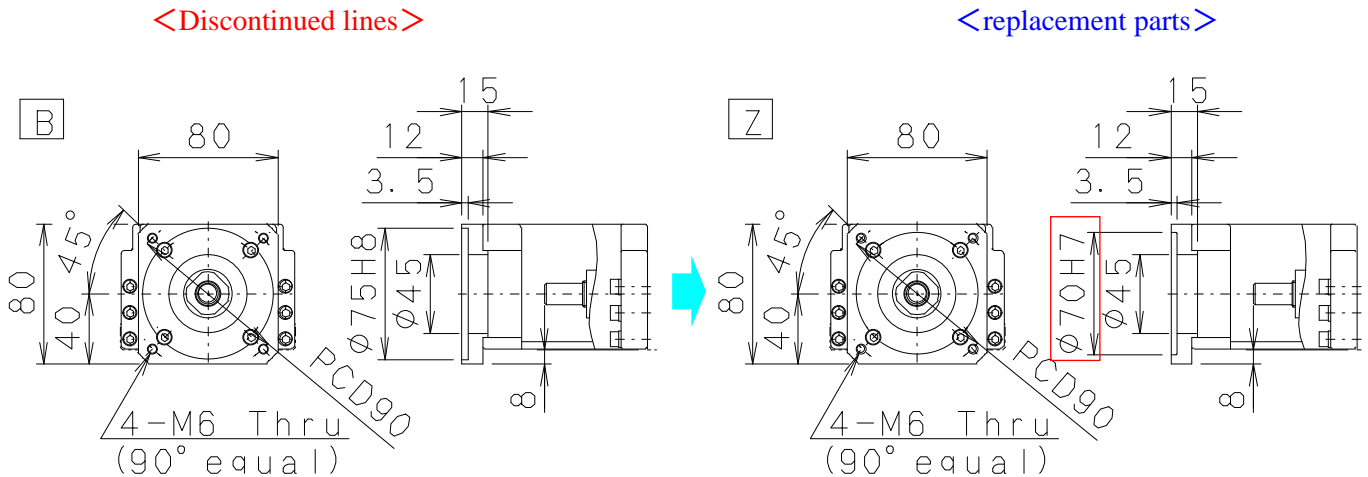
No dimensional change.

(3) Intermediate flange

【B】type flange will be replaced with **【Z】**type flange with dimensional change shown below. Others will not change dimensionally; only part number will be changed.

※changed from black oxide finish to THK AP-C Coating.

(Refer to Clause2 ②-3.)



【KR65】

(1) Motor interface part number, old to new conversion chart.

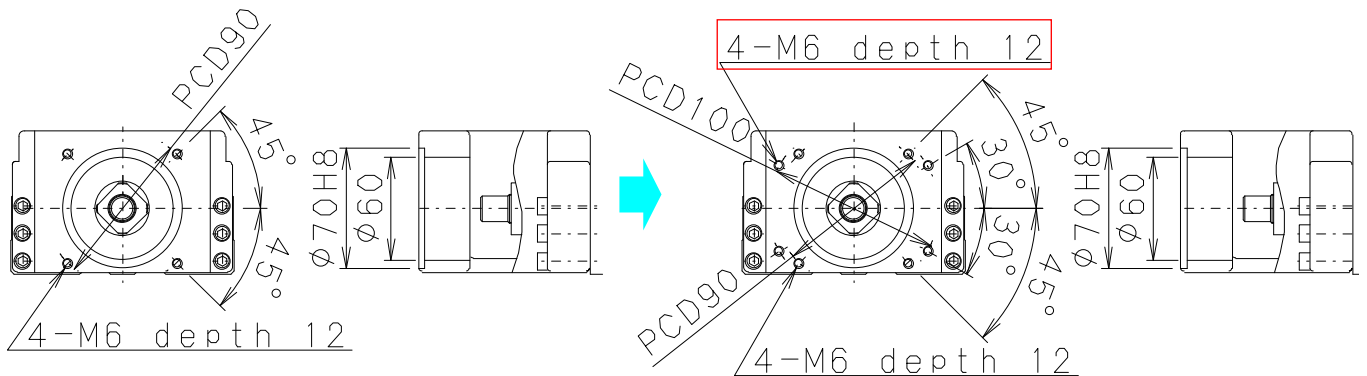
Direct Mount

| Motor type | | | | Rated output | Motor Size | Old | New |
|---------------------|---------------------|-------------------|--------------------|--------------|------------|-----|-----|
| AC servo motor | Yaskawa Electric | $\Sigma - V$ | SGMJV-02 | 200W | □60 | 0A | AV |
| | | | SGMJV-04 | 400W | | 0A | AV |
| | | | SGMJV-08 | 750W | | 0G | AZ |
| | Mitsubishi Electric | J3 | HF-KP23 | 200W | □60 | 0A | AV |
| | | | HF-KP43 | 400W | | 0A | AV |
| | | | HF-KP73 | 750W | | 0G | AZ |
| | Panasonic Crop. | MINAS A4 | MSMD08 | 750W | □80 | 2B | A5 |
| | | | MAMA08 | | | 2B | A5 |
| | SANYO Electric | SANMOTION Q1 | Q1AA06020D | 200W | □60 | 0A | AV |
| | | | Q1AA06040D | 400W | | 0A | AV |
| | | | Q1AA07075D | 750W | | □76 | 2B |
| | Omron | OMNUC G5 | R88M-K75030 | 750W | □80 | 2B | A5 |
| | Fanuc | β is series | β is0.4/5000 | 130W | □60 | 0A | AV |
| | | | β is0.5/6000 | 350W | | 0A | AV |
| | | | β is1/6000 | 500W | | 0A | AV |
| Keyence Corporation | MV | MV-M20 | 200W | □60 | 0A | AV | |
| | | MV-M40 | 400W | | 0A | AV | |
| | | MV-M75 | 750W | | □76 | 2B | A5 |
| Stepping motor | Oriental Motor | α Step | | AS 9* | □85 | 2F | A6 |
| | | 5phase | CSK II | CSK59* | □85 | 2F | A6 |
| | | | RK | RK59* | □85 | 2F | A6 |

(2) Housing A (Part Number Change: 0 \Rightarrow A)

<Discontinued lines>

<replacement parts>



(3) Intermediate flange

No dimensional change, only part number to be changed.

Changed from black oxide finish to THK AP-C Coating. (Refer to Clause2 ②-3)